



*Optima*

Precision Air Conditioners for Critical Applications

Cooling Capacity: 9.6kW~134.5kW



The OPTIMA product family from AIRSYS is designed specifically for medium to large data center installations. OPTIMA units combine precise temperature and humidity control with outstanding reliability and energy efficiency, throughout 24\*7 operation.

The OPTIMA range of precision air conditioners offers various heat-rejection options to meet the needs of any installation, and the OPTIMA-INV series includes an energy efficient inverter compressor. Other energy-saving technologies incorporated into the OPTIMA series include options for EC fans, free cooling and dual cooling sources.

# Unit Identification

## 01 Product Type

OPTIMA: OPTIMA precision air conditioner, abbr. as OPT  
 OPTIMA-INV: OPTIMA-INV precision air conditioner with inverter compressor, abbr. as OPTV

## 07 Heat-Rejection

DXA—Direct expansion with air cooled condenser  
 DXW—Direct expansion with water cooled condenser  
 CW—Chilled water cooling single coil(not available for OPTIMA-INV)  
 CWD-Chilled water cooling double coil(not available for OPTIMA-INV)

## 09 Compressor Type and Number

E1- OPTIMA, 1 compressor  
 E2- OPTIMA, 2 compressors  
 V1- OPTIMA-INV, 1 compressor  
 V2- OPTIMA-INV, 2 compressors

## 03 Free Cooling/Dual Cooling Sources Unit

FC—Indirect free cooling(not available for CW/CWD unit)  
 DC—Dual cooling sources (not available for CW/CWD unit)  
 DFC—Direct free cooling  
 Default— Without free cooling or dual cooling sources

## 05 Air Supply Scheme

OVER—Up flow, abbr. as "O"  
 UNDER—Down flow, abbr. as "U"

## 11 Refrigerant

OPTIMA: R407=R407C  
 OPTIMA-INV: R410=R410A

## 13 Power source

Voltage/Phase/Frequency  
 Default=380/3/50

## 15 Separator Character "."

01	02	03	04	05	06	07	08	09	10	11	12	13	14	15	16
OPTIMA OPTIMA-INV	-	FC DC DFC	.	O U	.	DXA DXW CW CWD	16 20 ...	E1 E2 V1 V2	A1 ... A5	R407 R410	.	380/3/50	FEA FEC	.	XXX

## 02

Separator Character "."

## 04

Separator Character "."

## 06

Separator Character "."

## 10 Cabinet Size Code

OPTIMA adopt "A" cabinet with 5 sizes A1-A5

## 12

Separator Character "."

## 08 Nominal Cooling Capacity: kW

## 14 Fan Type and Outdoor Unit

FEA-EC supply fan, AMAE series outdoor unit  
 FEC-EC supply fan, CME series outdoor unit

## 16 Code for Custom Design

3 alphabetic and numerical code

For example: OPTV-DFC.U.DXA40V1A3R410.380/3/50.FEA

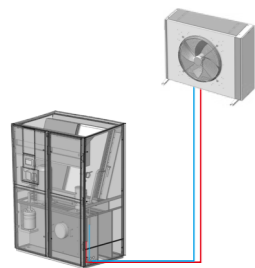
Stands for OPTIMA-INV Precision Air Conditioner with direct free cooling; air supply scheme is down flow; heat-rejection via direct expansion with air cooled condenser; cooling capacity is 40kW; equipped with 1 inverter compressor; cabinet size is A3; R410A refrigerant; the input power supply is 380V/3Ph/50Hz; supply fan is EC centrifugal fan; outdoor unit is AMAE series.

Standard configurations for the OPTIMA family of products:

Product Type	FC/DC Unit	Cooling Type	Air Supply	Cabinet	Cooling Capacity
OPTIMA	None	DXA	O/U	A1~A5	18.9~103.4kW
		DXW			27.9~106.7kW
		CW			24.8~134.5kW
		CWD			24.8~134.5kW
	FC	DXA			16.5~104.6kW
		DXW			27.9~106.7kW
		DXA			16.5~104.6kW
		DXW			27.9~106.7kW
	DC	DXA			9.7~103.4kW
		DXW			15.0~106.7kW
		CW			11.4~134.5kW
		CWD			11.4~134.5kW
OPTIMA-INV	None	DXA	O/U	A1~A5	18.2~102.3kW
		DXW			26.7~105.6kW
		DXA			18.2~116.2kW
		DXW			26.7~116.2kW
	FC	DXA			18.2~116.2kW
		DXW			26.7~116.2kW
		DXA			9.6~102.3kW
		DXW			12.6~105.6kW
	DC	DXA			9.6~102.3kW
		DXW			12.6~105.6kW
		DXA			9.6~102.3kW
		DXW			12.6~105.6kW
DFC	DXA	9.6~102.3kW			
	DXW	12.6~105.6kW			
	DXA	9.6~102.3kW			
	DXW	12.6~105.6kW			

# Cooling Schemes

## Air cooled direct expansion system(DXA)



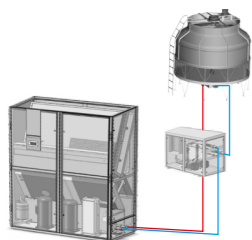
Air cooled direct expansion system (DXA) includes throttle, evaporator coil, scroll compressor and refrigeration piping configuration.

Heat from the indoor air is transferred to the refrigerant at the evaporator coil and rejected to the outside air via the air-cooled condenser.

Indoor unit: OPTIMA(-INV).DXA

Outdoor unit: CME series air-cooled condenser, AMAE series air-cooled condenser

## Water cooled direct expansion system(DXW)



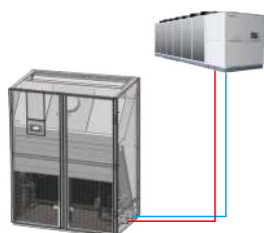
The water cooled direct expansion system (DXW) operates similarly to the air cooled system, however the refrigerant transfers the rejected heat to water via a plate heat exchanger, which is then discharged to the outside air via a dry cooler or cooling tower.

Refrigerant is pre-charged, the cooling pipe has been sealed and the unit is thoroughly tested in the factory. No refrigerant pipe installation is required on site, making unit installation significantly easier.

Indoor unit: OPTIMA(-INV).DXW

Outdoor unit: CMEH series dry cooler(AIRSYS)/cooling tower(user supplied)

## Single coil chilled water system(CW)

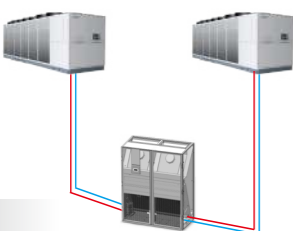


The single coil chilled water system (CW) transfers heat from the indoor air directly to a chilled water circuit. The user can connect to a new or existing chilled water source.

Indoor unit: OPTIMA.CW

Outdoor unit: user supplied chilled water source

## Double coil chilled water system(CWD)



Double coil chilled water systems (CWD) each contain two independent chilled water circuits and connect to independent cooling sources. The two circuits are utilized for redundancy.

Indoor unit: OPTIMA.CWD

Outdoor unit: user supplied chilled water source

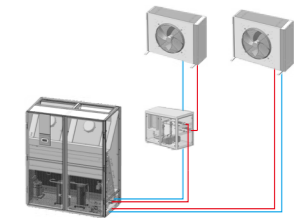
## Air cooled direct expansion with indirect free cooling(FC.DXA)

The FC.DXA unit is a dual-circuit system combining DXA heat-rejection with indirect free cooling (FC). The circuits are independent.

When there is a call for cooling, and the difference between indoor and ambient temperatures is acceptable, the FC unit will run to provide indirect free cooling through rejecting heat via a dry cooler. Only when free cooling capacity is insufficient to meet the cooling demand will the DXA unit start up mechanical cooling. Reduced run hours of the DXA system through the use of the FC unit saves energy.

Indoor unit: OPTIMA(-INV)-FC.DXA

Outdoor unit: CME, AMAE air cooled condenser, CMEH dry cooler, PUG pump kit



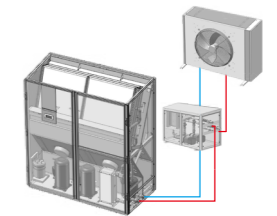
## Water cooled direct expansion with indirect free cooling(FC.DXW)

The FC.DXW unit is a single-circuit system combining DXW mechanical cooling with indirect free cooling (FC); the two cooling modes share the same water system.

When there is a call for cooling, and the difference between indoor and ambient temperatures is acceptable, the FC unit will run to provide indirect free cooling through rejecting heat via a dry cooler. Only when free cooling capacity is insufficient to meet the cooling demand will the DXW unit start up mechanical cooling. Reduced run hours of the DXW system through the use of the FC unit saves energy.

Indoor unit: OPTIMA(-INV)-FC.DXW

Outdoor unit: CMEH dry cooler/cooling tower, PUG pump kit

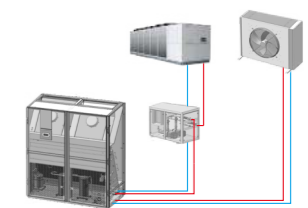


## Air cooled direct expansion with double cooling source(DC.DXA)

The DC.DXA unit is a dual-circuit system offering both DXA (air cooled) mechanical cooling and chilled water cooling (CW). It contains two independent cooling circuits with different heat-rejection methods for redundancy.

Indoor unit: OPTIMA(-INV)-DC.DXA

Outdoor unit: CME, AMAE air cooled condenser, PUG pump kit, CMEH dry cooler, user supplied chilled water source

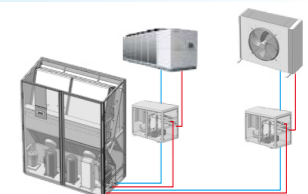


## Water cooled direct expansion with double cooling source(DC.DXW)

The DC.DXW unit is a dual-circuit system offering DXW (water cooled) mechanical cooling and chilled water cooling (CW). It contains two independent cooling circuits with different heat-rejection methods for redundancy.

Indoor unit: OPTIMA(-INV)-DC.DXW

Outdoor unit: PUG pump kit, CMEH dry cooler, user supplied chilled water source



# Operating Range & Control Accuracy

## DXA

### Operating Range

Outdoor Temperature:

-40°C ~ +55°C (special options are available for extreme temperature conditions)

Piping Length:

Total length of 30 meters of gas and liquid refrigeration piping loop (consult AIRSYS sales representative for specific installation arrangement)

Piping Vertical Distance:

Condenser above indoor unit: max. 20m

Condenser below indoor unit: max. 5m

consult AIRSYS sales representative for specific installation arrangement)

### Control Accuracy

Temperature Range and Accuracy:

Range: 15~35°C, Accuracy: ±1°C;

Humidity Range and Accuracy:

Range: 35~80%, Accuracy: ±5%

## DXW/CW/CWD

### Operating Range

Water pressure specification:

Higher than the system total pressure drop, but lower than 1250kPa

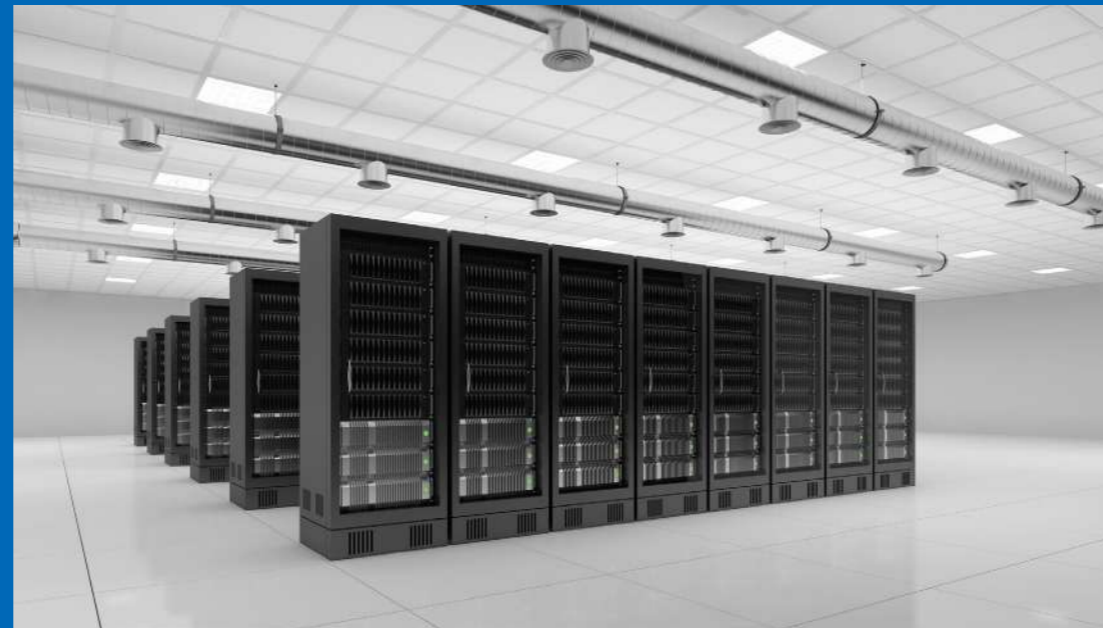
### Control Accuracy

Temperature Range and Accuracy:

Range: 15~35°C, Accuracy: ±1°C

Humidity Range and Accuracy:

Range: 35~80%, Accuracy: ±5%



# Application

Computer Rooms and Data Centers

Telecom Equipment Rooms and Shelters

Other Electronic Equipment Rooms

Healthcare Equipment Rooms

Laboratories with precise environmental requirements

Manufacturing facilities requiring precise environments

Storage facilities requiring precise environments such as museums and wine cellars



# High Lights

## *Precise Control*

The control accuracy for temperature is  $\pm 1^{\circ}\text{C}$  and for Relative humidity is  $\pm 5\%$ .

## *Various Heat-Rejection Arrangements*

Heat-Rejection arrangements include DX air cooled, DX water cooled, chilled water with single coil or double coil, DX air cooled/water cooled with direct free cooling (DFC), DX air cooled/water cooled with indirect free cooling (FC) and double cooling sources (DC). Options are available to suit all installation requirements.

## *Various Supply Air Arrangements*

Supply air arrangements include top discharge (up flow) and bottom discharge (down flow). Return air arrangements, include top return, bottom return, front return and rear return to meet all varied requirements of ICT sites.

## *Corrosion-proof*

The unit framework is provided with corrosion protection treatment. The treatment is sufficient to provide protection for a 15 year life cycle for inland installation.

If necessary, the treatment for sea air environment can be supplied as an option.

## *Easy Maintenance*

The technical compartment housing the compressor, humidifier, control and safety devices is separates from the air flow, enabling ordinary service and preventive maintenance to occur during operation.

## *EC Fan*

Highly efficient EC fans are supplied with OPTIMA products.

## *Scroll Compressor*

OPTIMA (DXA & DXW) units are equipped with scroll compressors, which produce less vibration, lower noise and greater efficiencies. OPTIMA-INV units are equipped with s scroll inverter compressor which can vary speed continuously according to the cooling demand.

## *Isolated Control Panel*

All the electrical and control components are installed in an isolated control panel with orderly wiring and clear labeling, meeting the IEC standards.

## *Continuous Control System for Condensing Pressure*

### **DXA**

The unit is installed with a pressure sensor which is used for the fan speed control of the outdoor unit, therefore maintaining refrigeration system pressure within a suitable range and ensuring the stable operation of the system.

When compared to On/Off condensing control, the OPTIMA system increases the energy saving significantly and extends the working life of the compressor. It also enables the unit to startup and work at low ambient temperatures (to  $-40^{\circ}\text{C}$  or lower)

### **DXW**

The unit is installed with a pressure sensor which is used for the water flow valve control at the outdoor unit, therefore maintaining refrigeration system pressure within suitable range and ensuring the stable operation of the system.

## *Forced Dehumidification System*

The dehumidification process occurs through decreasing the evaporator coil surface temperature or reducing the air flow across the coil. These features enable faster dehumidification, increased energy savings and more precise humidity control.

## *Electrode Humidifier*

An electrode humidifier, controlled by a microprocessor, monitors and adjusts the humidifying capacity precisely, while the water quality monitoring and wash extends the maintenance interval, prolonging the working life of the unit.

## *Electric Heater*

The construction of the electric heater element (stainless steel pipe with wrapped fins) allows for a reduced operating temperature, therefore eliminating ionization, and avoiding unpleasant odors.



## *Air Filter*

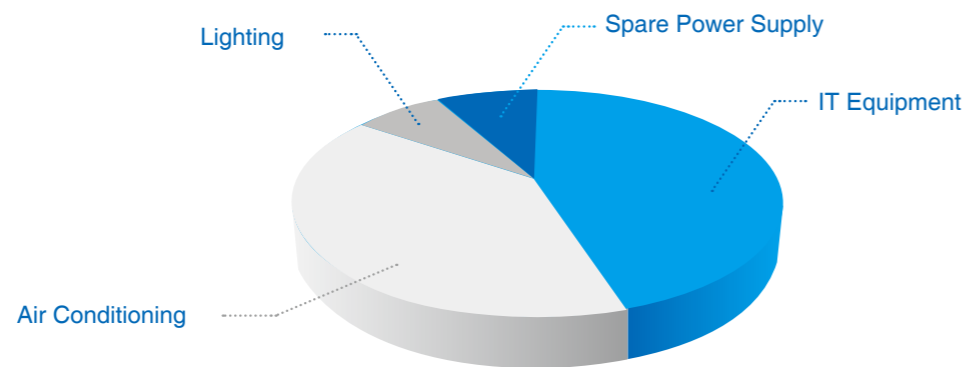
A washable, easy maintainable and durable G4 class air filter is a standard configuration for the OPTIMA range. With optional air pressure switch, a clogged filter alarm can be triggered when the filter is dirty.

## *Self-diagnosis*

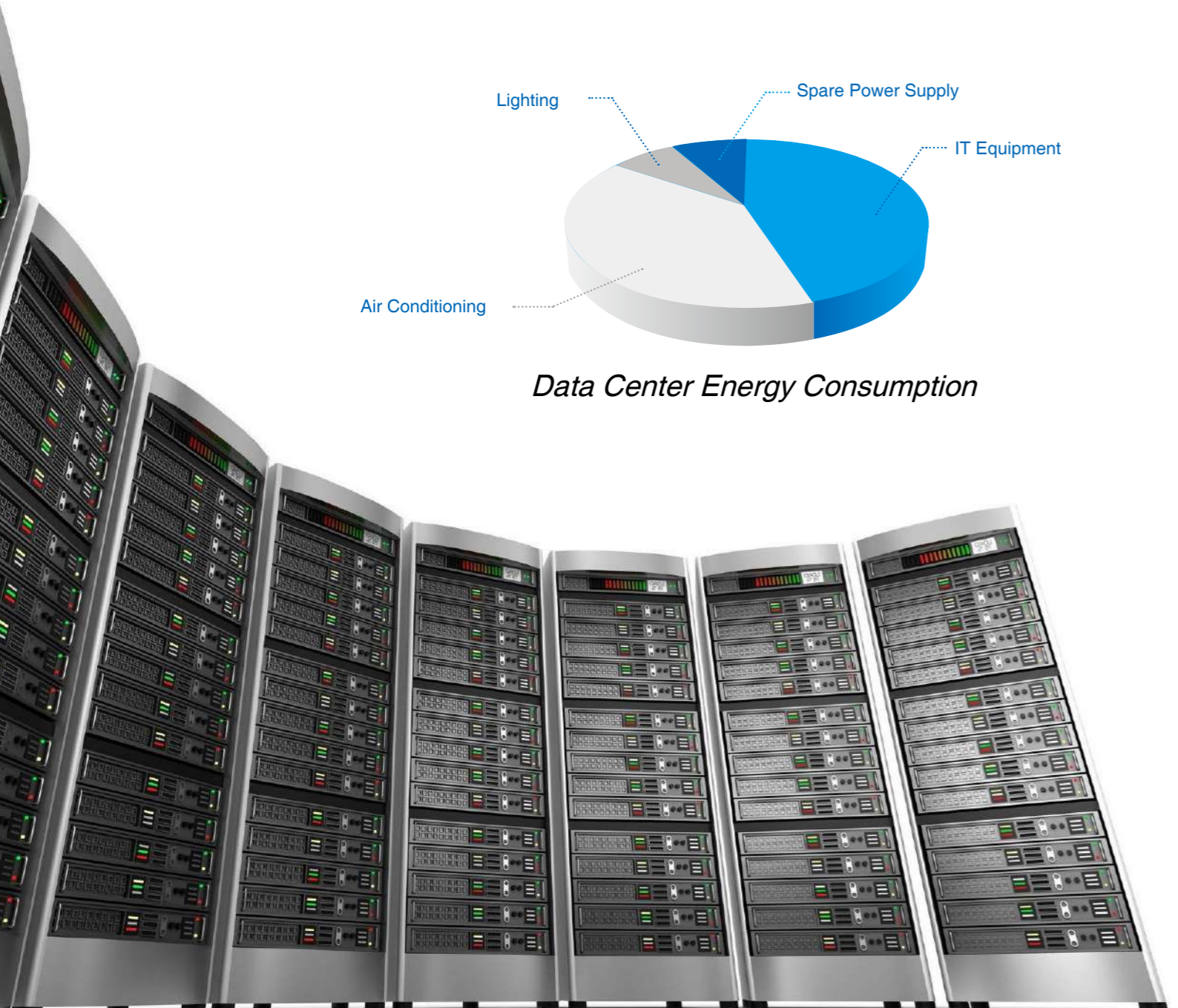
All the microprocessor-connected components are continuously monitored and controlled and, in case of malfunction, the unit is shut down and the fault is shown on the display.

Data center power consumption is generally divided between four major sources; IT equipment, cooling systems, backup power and lighting systems. The specific proportions are different in each data centers, however a typical split is presented here.

As the pie chart show, the energy consumption of the cooling system is second only to the actual IT equipment; i.e. the air conditioning systems account for a large portion of the total energy consumption of the data center. Therefore, by taking advantage of free cooling solutions (and hence reducing the run hours of the compressors) large energy savings are potentially achievable. AIRSYS has developed both direct and indirect free cooling systems, as well as dual heat-rejection mode units which can significantly reduce the overall energy consumption of a data center. Options are available or configurable to suit any and all installation requirements.



*Data Center Energy Consumption*



# Energy Saving Technologies

## Optional Energy Saving Running Modes

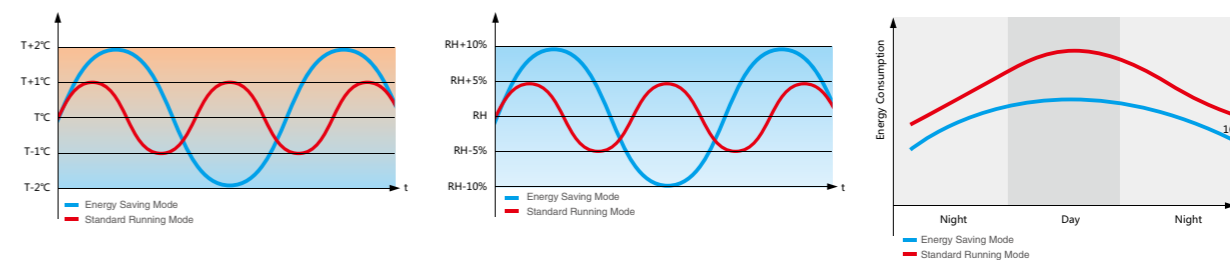
The OPTIMA family of products offers two running modes which may be chosen from the controller display:

### *Standard running mode:*

In this mode, the temperature and humidity are controlled within narrower ranges;

### *Energy saving mode:*

In this mode, good energy savings can be achieved through allowing the temperature and humidity to be controlled within wider ranges.



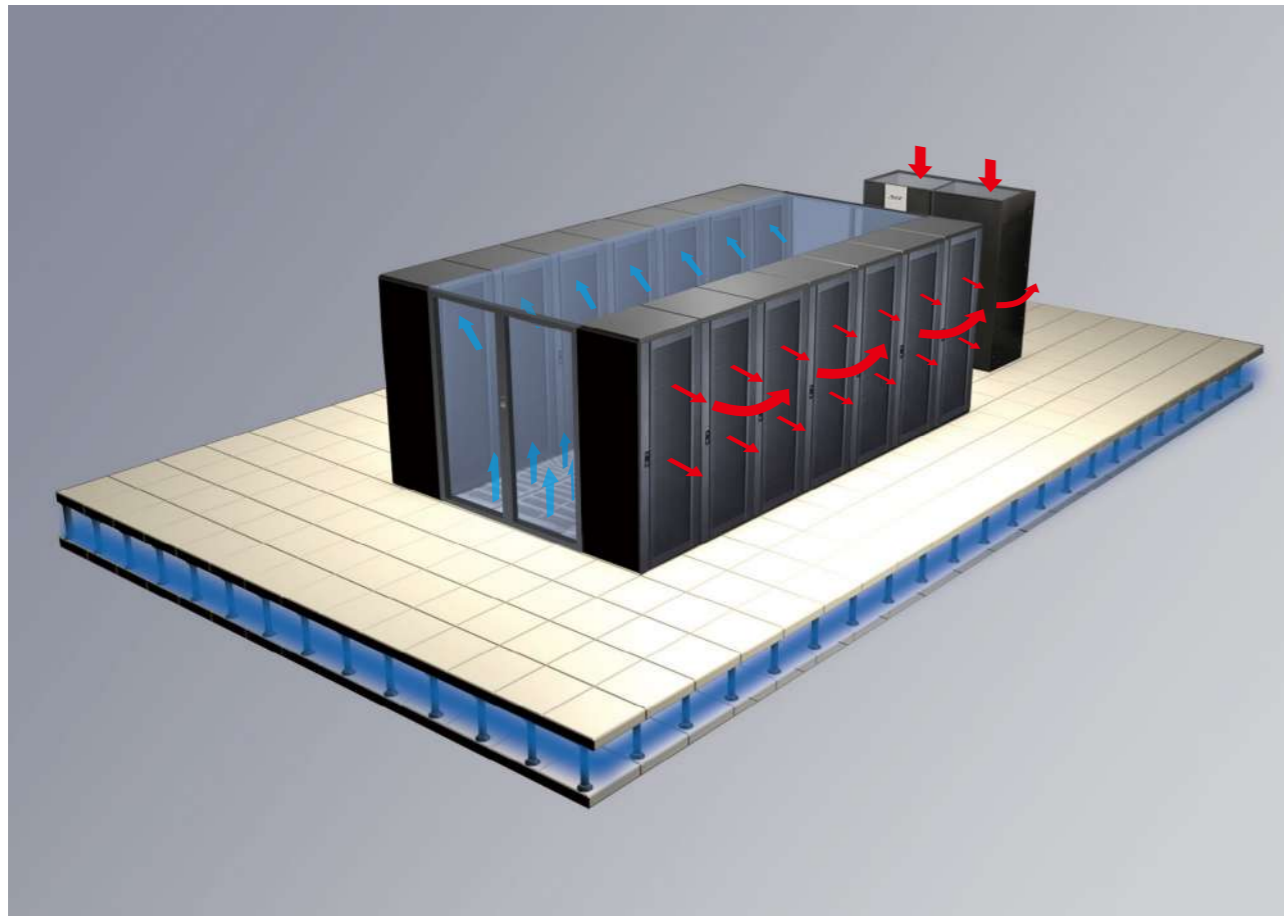
## Supply Air Temperature and Pressure Control (option)

Supply air temperature control, as the name suggests, means driving the operation of the compressor based on the air temperature at the supply air discharge location; when cool air is being supplied at the setpoint temperature, the compressor is stopped until supply air temperature begins to increase. This control method provides accurate adjustment of the cooling capacity according to actual demand and can save a considerable amount of energy.

Supply air temperature control is typically applied to cold aisle cooling systems. As the cold aisle temperature profile is uniform (i.e. there is no short-circuiting of air), accurate reading of the supply air temperature is simple to obtain from the unit supply air discharge location.

Because the supply air and cold aisle air temperatures are equal, the cold air is supplied directly to the equipment requiring cooling and no energy is wasted cooling the rest of the room. Compared to return air temperature control systems, supply air control systems can operate at a higher supply air temperature under the same cooling demand conditions. As well as this, evaporating temperatures will typically be higher and therefore more energy efficient.

For down flow units utilizing supply air temperature control, the differential air pressure can be monitored to ensure the cool air has been evenly distributed to all the servers.



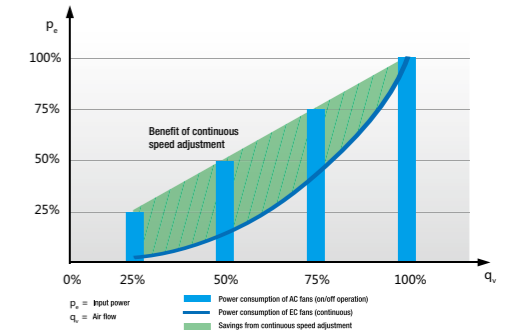
## EC Fan

An EC fan refers to a centrifugal fan that utilizes an Electronically Commutated motor (or brushless DC motor). EC fans have numerous benefits including:

### Energy Efficiency

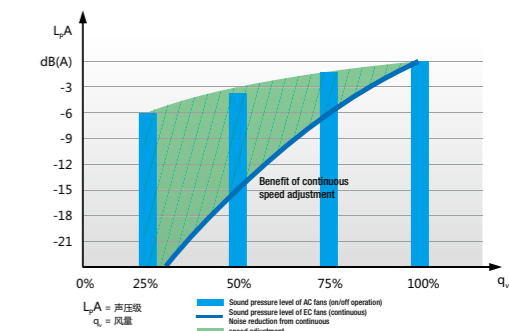
EC fans have brushless DC motors and integrated control modules. Motor efficiencies of 85-90% are achievable; 30% to 50% higher than traditional AC fans.

The difference in energy efficiency between variable speed EC fan control and traditional on/off fixed speed AC fans can be seen in the graph; the bars show the power consumption of fans which are switched in gradually as required while the blue curve shows the power consumption with infinitely variable speed control.



### Lower Noise

In a given installation, switching off half the fans (and halving the air flow) will typically only reduce the generated noise by approximately 3 dB. Compare this to EC fans, where reducing fan speed to provide half the air flow typically yields an reduction of approximately 15 dB. This is possible as EC fans are able to operate across an infinitely controllable speed range, which in turn effectively avoids electromagnetic and rectifier noise (generated by other traditional motor and speed control devices), thus reducing the overall noise level.



In the graph, the bars indicate the sound pressure level of fans which are switched in gradually as required and the blue curve shows the sound pressure level with infinitely variable speed control.

As can be seen from the picture EC fan sound pressure level is 12dB lower compared to the traditional AC fan.

### Compact, Integrated Electronic Control System

All EC fans have dedicated speed control modules and filters built into the motor assembly, making for a compact and self-contained solution. All that is required is to connect the main power supply and the sensor signals to the controller for complete speed control of between 10% and 100%. EC fans provide a simple, convenient solution and can also support group control and remote monitoring.



### Wide Working Voltage

Wide AC input voltage range: 1~200-277VAC or 3~380-480VAC 50&60Hz

Wide DC input voltage range: 16-28VDC or 36-57VDC

## Inverter Technology

OPTIMA-INV inverter series precision air conditioners adopt energy-efficient DC inverter scroll compressors that can achieve stepless speed and on-demand cooling capacity adjustment to achieve the greatest efficiencies. Inverter technology is available with direct expansion air-cooled (DXA) and direct expansion water cooled (DXW) type units.

The inverter system manages the compressor speed with infinitely variable control according to the actual cooling demand;. When the difference between room and setpoint temperatures is high, the compressor operates at a high speed (and greater cooling capacity). As the temperature difference reduces, the compressor speed gradually reduces to more accurately maintain room temperature (a subsequently conserving energy).

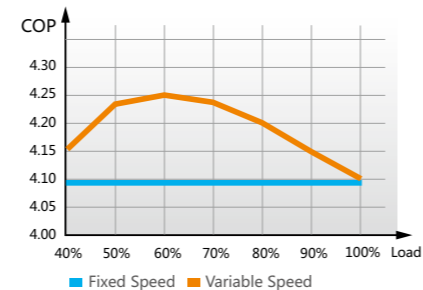


## High Efficiencies, Lower Noise

Compared to the on/off operation of fixed-speed compressors, inverter compressors have stepless speed changes which, through intelligent control, consistently aim to run at the most efficient operating point. This variable frequency operation can save nearly 30% on operating costs.

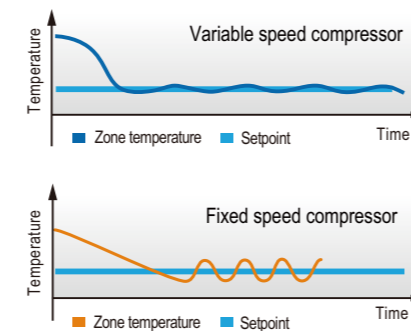
Results from an AIRSYS performance test of fixed-frequency vs. inverter compressors can be seen in the graph; the stark difference between compressor COPs is easily seen.

Additionally, an inverter compressor starting current is only about 10% of that of a fixed-frequency compressor, they typically have a higher reliability and the noise generated at part load is approximately 5-10 dB lower.



## More Precise Temperature Control

Compared to a fixed-frequency compressor, an inverter compressor can achieve more precise temperature control through maintaining the room temperature closer to the setpoint temperature. The control accuracy can be as close as  $\pm 0.5$  °C, even when the load is constantly changing. The comparison between fixed-frequency and inverter compressor temperature control accuracy is shown on the right picture.



OPTIMA-INV Inverter Series precision air conditioners utilize electronic expansion valves to regulate the refrigerant flow entering the evaporator and match it to the running speed of the compressor. Compared to thermal expansion valves, electronic expansion valves control much more accurately and efficiently. They are also able to control system evaporation temperature and superheat more effectively and lead to an overall higher system efficiency.



For OPTIMA-INV parameters, please refer to P28-P29.

## Indirect Free Cooling(FC)

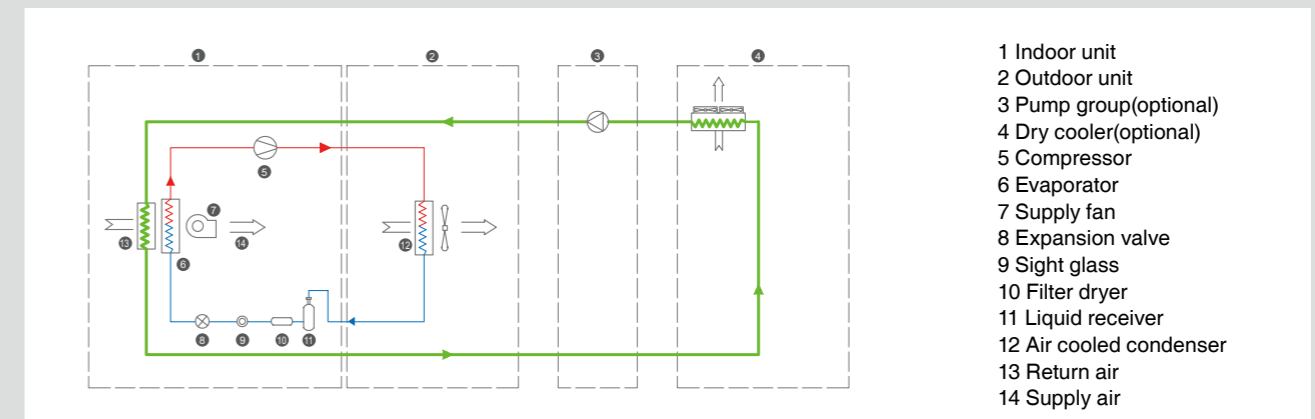
Indirect free cooling refers to heat-rejection through circulating water between an indoor cooling coil and an outdoor dry cooler or cooling tower; the water absorbs the heat at the indoor coil and then discharges it to the atmosphere via the dry cooler or cooling tower.

### Air cooled direct expansion unit with indirect free cooling(FC)

By adding a water coil to the direct-expansion evaporator coil and completing an indirect free cooling (FC) circuit with a dry cooler or cooling tower, significant energy savings can be made through a reduction in the DX compressor run hours. When there is a call for cooling, and the difference between indoor and ambient temperatures is acceptable, the FC system will run to provide indirect free cooling. If the FC system can not satisfy the total cooling demand, the DX cooling system will commence operation, however, as the outdoor ambient temperature decreases, the proportion of FC capacity will increase. When free cooling capacity reaches 100%, and cooling demand is being met, complete FC mode is achieved and there is no compressor power consumption from the DX system.

Both OPTIMA and OPTIMA-INV units can accommodate the indirect free cooling option. The corresponding series are OPTIMA-FC.DXA and OPTIMA-INV-FC.DXA. For the specific technical parameters, please refer to P22-23 and P28.

The schematic diagram showing the principle of operation for an air cooled direct expansion unit with indirect free cooling (FC) is as follows:

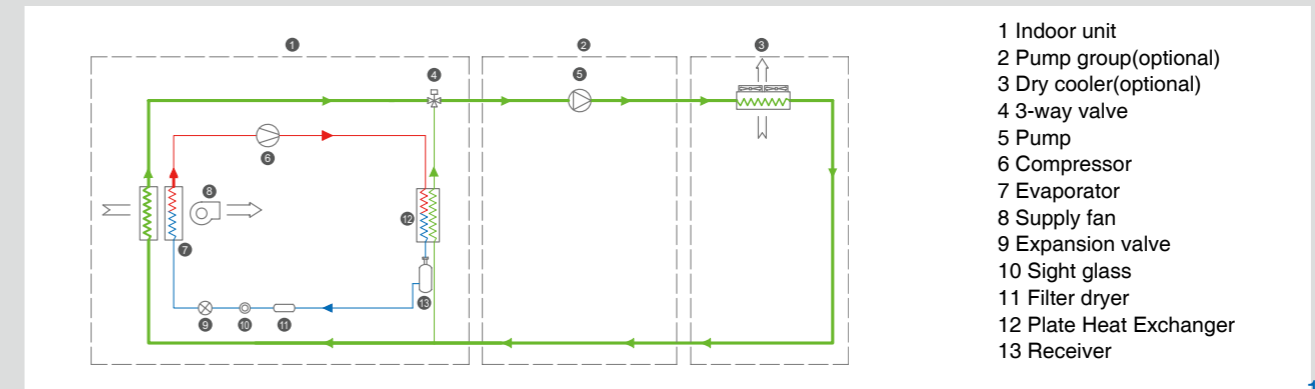


### Water cooled direct expansion unit with indirect free cooling(FC)

A FC water coil can be added to the direct-expansion evaporator coil to introduce FC ability. The unit then automatically determines whether the water should flow through the plate heat exchanger (for DX cooling) or the water coil (for FC operation) via a three-way valve. A single outdoor dry cooler provides heat-rejection water for both the direct-expansion plate heat exchanger and the FC coil, reducing required plant space and allowing energy savings through reduced compressor power consumption.

Both OPTIMA and OPTIMA-INV units can accommodate the indirect free cooling option. The corresponding series are OPTIMA-FC.DXW and OPTIMA-INV-FC.DXW. For the specific technical parameters, please refer to P24-25 and P31.

The schematic diagram showing the principle of operation for a water cooled direct expansion unit with indirect free cooling (FC) is as follows:



## Dual Cooling Sources(DC)

Dual cooling (DC) source units are supplied with two fully independent cooling circuits; chilled water system cooling (default) and mechanical (DX) cooling (supplementary). Where a chilled water system is always available for heat rejections, the unit will always run in chilled water cooling mode. Only when chilled water cooling can not meet the cooling demand will the microprocessor controller switch from chilled water cooling to DX cooling. Where a chilled water system is not always available (e.g. seasonal plant operation), chilled water cooling will only occur when the system is available.

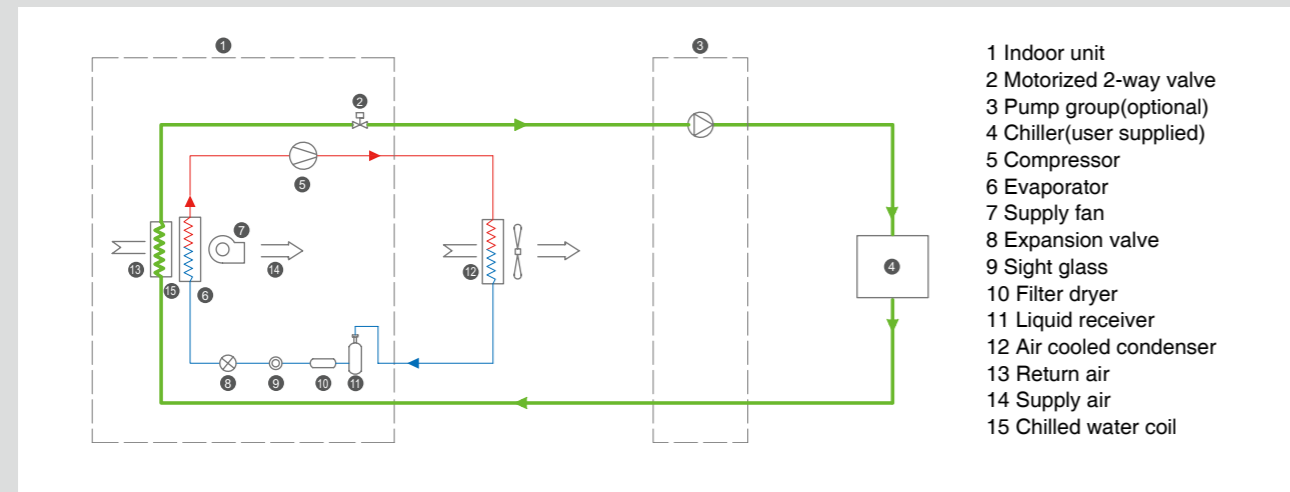
As heat rejection via chilled water is prioritized, run time for the DX cooling system is minimized resulting in an extend life expectancy of the compressor corresponding energy savings.

DC units have an inherently higher reliability (due to inbuilt redundancy) and can ensure that cooling is more consistently available. They also have the intelligence to select the most efficient operation mode depending on the environment, which can greatly reduce energy consumption.

### Air cooled direct expansion unit with dual cooling sources(DC)

Both OPTIMA and OPTIMA-INV units can accommodate dual cooling options. The corresponding series names are OPTIMA-DC.DXA and OPTIMA-INV-DC.DXA.

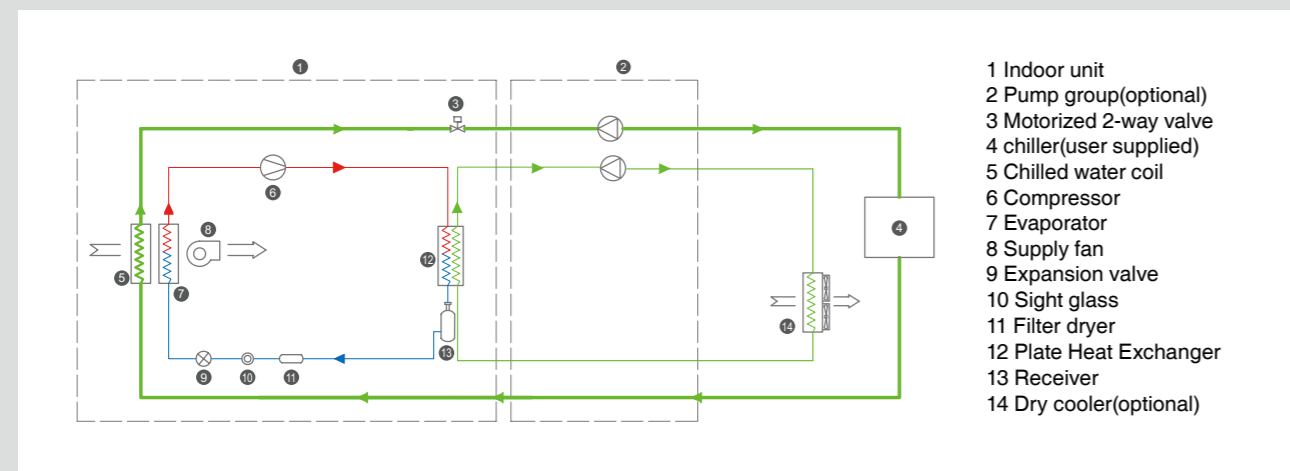
The schematic diagram showing the principle of operation for an air cooled DX dual cooling system is as follows:



### Water cooled direct expansion unit with dual cooling sources(DC)

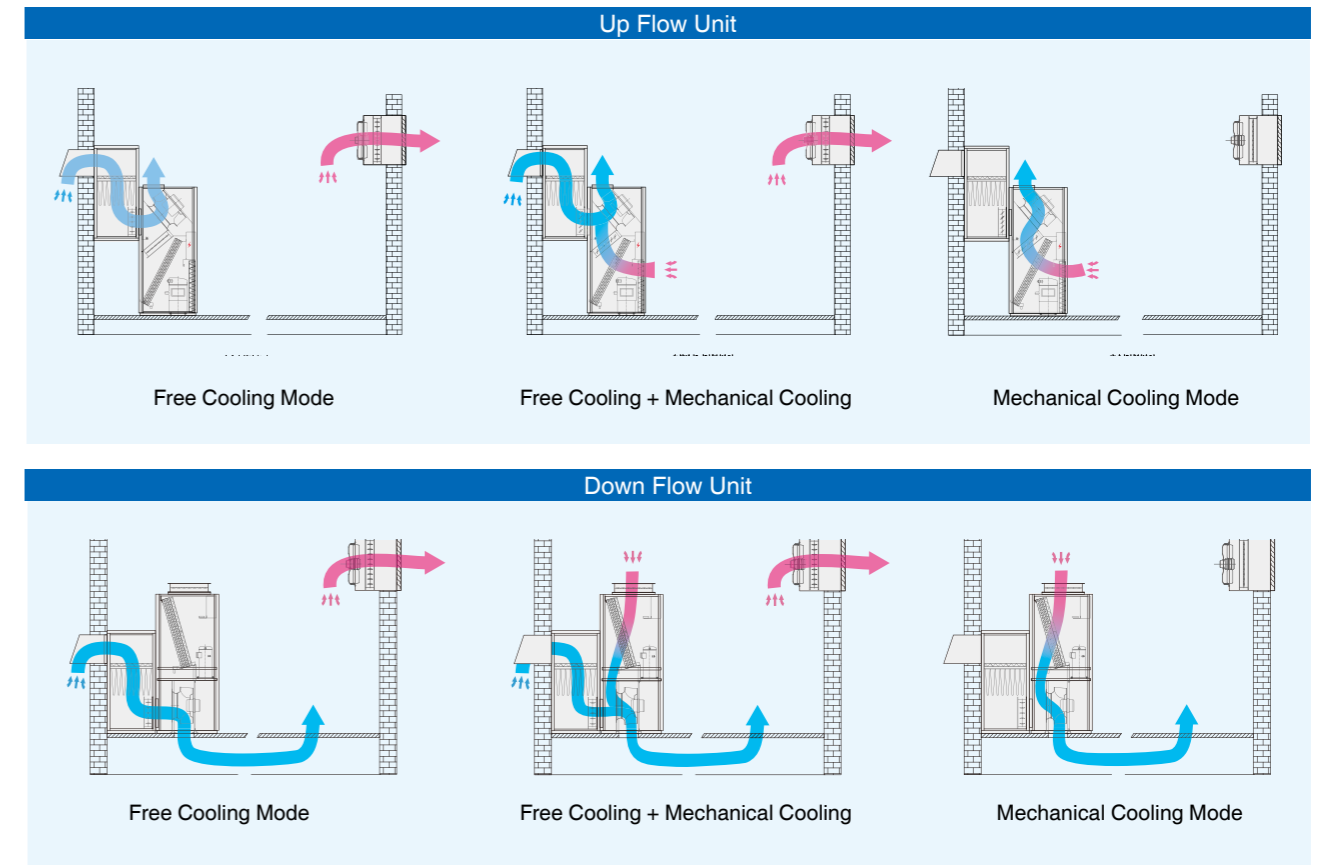
Both OPTIMA and OPTIMA-INV units can accommodate dual cooling options. The corresponding series names are OPTIMA-DC.DXW and OPTIMA-INV-DC.DXW.

The schematic diagram showing the principle of operation for a water cooled DX dual cooling system is as follows:



## Direct Free Cooling(DFC)

For installations where outdoor temperatures are commonly lower than indoor temperature, fresh air can be introduced directly into the room to cool the equipment; this is known as direct free cooling (DFC). A well designed and integrated DFC system can greatly reduce the dependency on other cooling systems and save energy through minimizing their run hours. DFC systems can be integrated with both OPTIMA and OPTIMA-INV units, with up flow and down flow configurations. The corresponding series names are OPTIMA-DFC and OPTIMA-INV-DFC. The diagram showing the arrangement and principle for direct free cooling options is as follows:



Both OPTIMA-DFC and OPTIMA-INV-DFC systems include mechanical (DX) cooling and free cooling modes, together with the intelligence to switch between the modes to ensure the most efficient operation. When utilizing direct free cooling, the DX system compressor stops, which has a significant impact on the energy consumption.

In recent years, energy-efficient data centers have attracted greater attention and many data centers are now able to achieve significant energy savings through both increasing the IT equipment tolerance temperatures and expanding the considered geographical scope to exploit direct free cooling (which is not only limited to regions of extreme cold).

# Unit Configuration

## OPTIMA Family Product Standard Configuration

Standard Configuration	OPTIMA				OPTIMA-INV	
	DXA	DXW	CW	CWD	DXA	DXW
Powder coated steel frame	•	•	•	•	•	•
Powder coated steel panel with inside thermal and acoustic insulation	•	•	•	•	•	•
EC centrifugal fan	•	•	•	•	•	•
Copper tube aluminum fin coil	•	•	•	•	•	•
Condensing water tray	•	•	•	•	•	•
Class G4 air filter	•	•	•	•	•	•
Temperature and RH sensor at return air inlet	•	•	•	•	•	•
Air pressure switch for supply fan protection	•	•	•	•	•	•
Microprocessor control	•	•	•	•	•	•
Electrical control panel	•	•	•	•	•	•
Stainless steel electric heater, various capacity available	•	•	•	•	•	•
Proportional controlled electrode type humidifier, various capacity available	•	•	•	•	•	•
Hermetic fixed frequency scroll compressor	•	•	—	—	—	—
Hermetic inverter scroll compressor	—	—	—	—	•	•
Rubber vibration absorber for compressor	•	•	—	—	•	•
Plate heat exchanger as water cooled condenser	—	•	—	—	—	•
External equalizer thermostatic expansion valve	•	•	—	—	—	—
Electric expansion valve	—	—	—	—	•	•
Sight glass	•	•	—	—	•	•
Filter dryer	•	•	—	—	•	•
Liquid receiver	•	•	—	—	•	•
High pressure transducer	•	•	—	—	•	•
Pressure switch for high/low pressure protection	•	•	—	—	•	•
Continuous control system for condensing pressure	•	•	—	—	•	•
Phase sequence protection relay for power supply	•	•	—	—	•	•
Motorized 2-way valve	—	•(1)	•	•	—	•(1)
Additional copper tube aluminum fin chilled water coil	—	—	—	•	—	—
Wooden packaging	•	•	•	•	•	•

Note: "•"standard configuration, "—" no option available.  
 (1) Need to choose when using cooling tower.

As well as the above standard configuration, OPTIMA(-INV)-FC/DC/DFC units also include the following standard configuration.

Standard Configuration	OPTIMA(-INV)-FC		OPTIMA(-INV)-DC		OPTIMA(-INV)-DFC			
	DXA	DXW	DXA	DXW	DXA	DXW	CW	CWD
Copper tube aluminum fin free cooling coil	•	•	—	—	—	—	—	—
Motorized 3-way valve	—	•	—	—	—	—	—	—
Copper tube aluminum fin chilled water cooling coil	—	—	•	•	—	—	—	—
Motorized 2-way valve	—	—	•	•	—	—	—	—
Fresh air inlet box	—	—	—	—	•	•	•	•

Note: "•"standard configuration, "—" no option available.

## Options for OPTIMA Family Product

Option	OPTIMA				OPTIMA-INV	
	DXA	DXW	CW	CWD	DXA	DXW
AC centrifugal fan	○	○	○	○	○	○
Air pressure switch for clogged filter alarm	○	○	○	○	○	○
Motorized no-return damper for up flow unit	○	○	○	○	○	○
Supply air plenum for up flow unit	○	○	○	○	○	○
Supply air plenum for down flow unit	○	○	○	○	○	○
Backward air return for up flow unit	○	○	○	○	○	○
Installation support stand with adjustable legs	○	○	○	○	○	○
Supply air temperature sensor	○	○	○	○	○	○
Supply air static pressure sensor	○	○	○	○	○	○
Floor water leakage alarm kit	○	○	○	○	○	○
Additional floor water detector	○	○	○	○	○	○
Colored touch screen graphical user interface.	○	○	○	○	○	○
RS232 communication	○	○	○	○	○	○
RS485 communication	○	○	○	○	○	○
pCOWeb communication card	○	○	○	○	○	○
GSM short message module	○	○	○	○	○	○
Remote display controller	○	○	○	○	○	○
Clock Card	—	—	○	○	—	—
Electronic expansion valve	○	○	—	—	—	—
Unit filled with R407C Refrigerant	○	○	—	—	—	—
Low temperature operation kit for outdoor temperature below-20°C(for DXA only)	○	—	—	—	○	—
Phase sequence protection relay for power supply	—	—	○	○	—	—
Motorized 3-way valve	—	○	○	○	—	○

Note: "○" option available, "—" no option available.

As well as the above options, OPTIMA(-INV)-DFC units also include air outlet box.

Option	OPTIMA-DFC				OPTIMA-INV-DFC	
	DXA	DXW	CW	CWD	DXA	DXW
Air outlet box	○	○	○	○	○	○

Note: "○"option available.

## Electric Heater/Humidifier Selection Sheet

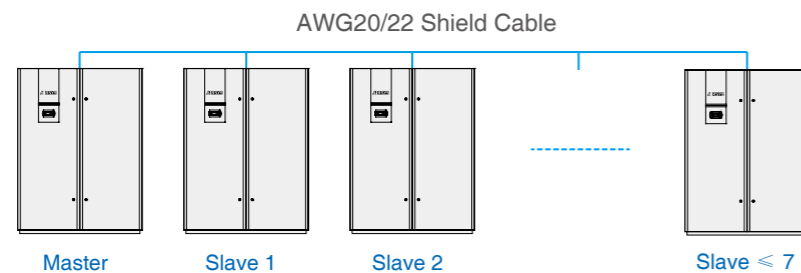
		A1	A2	A3	A4	A5
Heat capacity (kW)	6	●	—	—	—	—
	9	○	●	—	—	—
	12	○	—	—	—	—
	13.5	—	○	●	—	—
	18	—	○	○	●	●
	27	—	—	—	○	○
Humidification capacity (kg/h)	3	●	—	—	—	—
	5	○	●	—	—	—
	8	○	○	●	●	●
	10	—	—	○	○	○
	13	—	—	○	○	○
	15	—	—	○	○	○

Note: "●" means standard configuration, "○" means option, "—" means N/A.

## Group Control

Continuous and reliable operation of the air conditioning systems is critical for the successful operation of data center equipment. As a result of the high proportion of power consumed by such air conditioning systems, energy consumption has been a challenge faced by modern data centers. AIRSYS precision air conditioners aim to address this challenge, in part, through effective group control and rotation functions. Such control

philosophies ensure consistent room temperature and humidity, together with continuous reliable operation (generally, by the addition of a spare unit for redundancy) whilst minimizing the total power required for the air conditioning. Group control and rotation functions will also typically extend unit life and effectively save energy by improving the overall management of the system.



# Remote Control & Network Monitoring

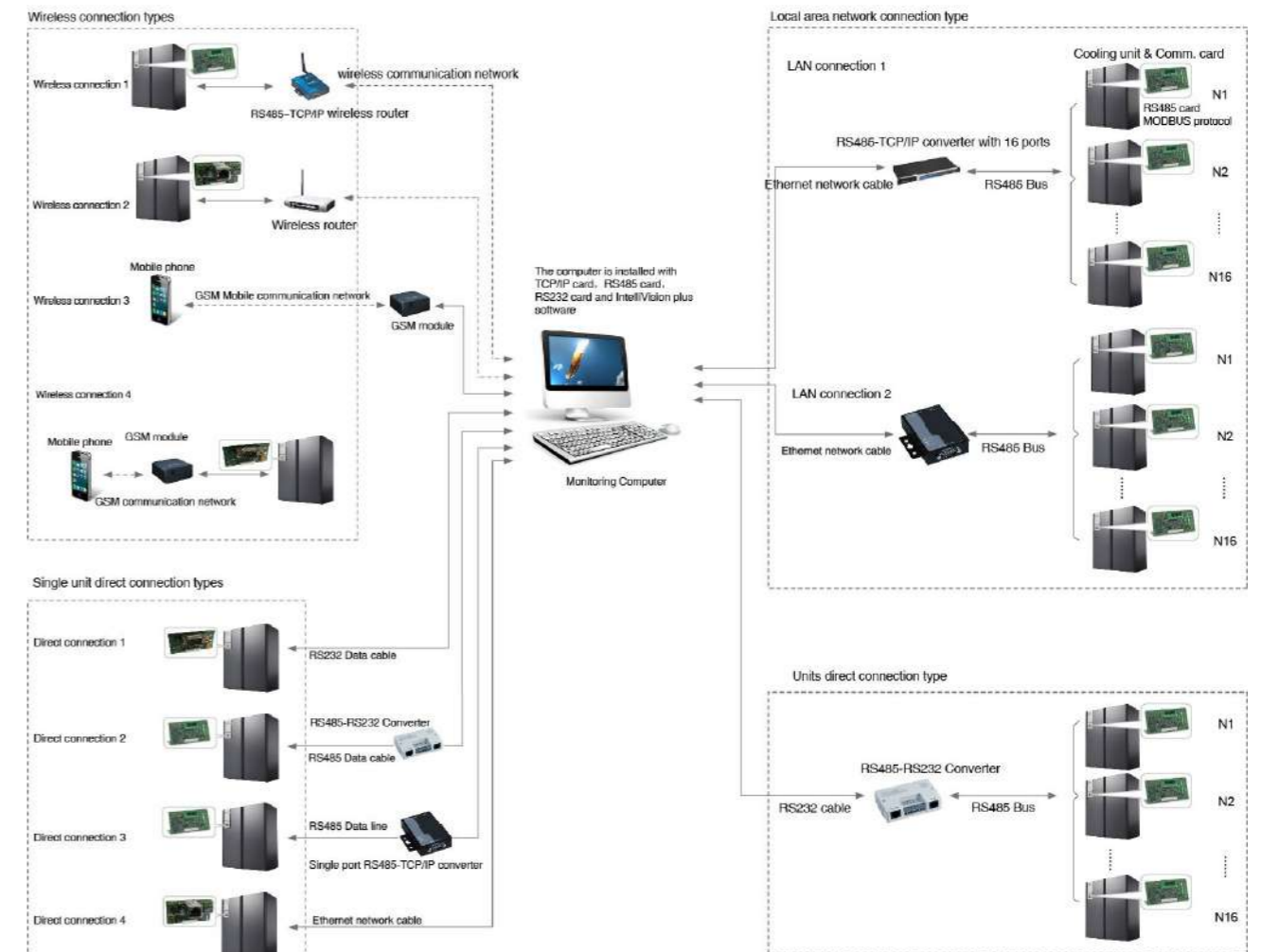
Networking and Monitoring of air conditioning equipment is typically a subsystem of a Building Management System (BMS) and provides centralized monitoring and management of all the air-conditioning equipment.

Thanks to years of experience in the production and application of precision air conditioning equipment, AIRSYS is able to provide a variety of monitoring systems ranging from simple SMS alarm monitoring to

the most sophisticated tERA cloud based GPRS wireless centralized monitoring system. There is a solution available to suit all sites and installations.

A given unit can be remote controlled or monitored via several means:

- 3 kinds of local direct cable connection
- 3 kinds of LAN network connection
- 4 kinds of wireless network connection



# Technical Parameters

## OPTIMA(-DFC/FC/DC).DXA

Unit Model		16E1A1	20E1A1	26E1A2	26E2A2	30E1A2	30E2A2		35E1A2	35E2A2	40E1A3	40E2A3	50E2A3	60E2A4	70E2A4	80E2A4	90E2A5	100E2A5	
Supply air scheme(1)		O/U								O/U									
Cooling capacity																			
Total (2)	kW	18.9	22.0	28.5	29.0	31.9	30.5		37.6	36.6	45.2	46.6	55.1	65.3	74.5	84.6	90.7	103.4	
Sensible(2)	kW	18.3	20.7	26.2	26.6	29.3	27.8		35.3	33.3	41.2	44.3	51.1	59.9	71.4	79.4	86.1	97.7	
FC unit free cooling/DC unit cooling coil capacity																			
Total (3)	kW	16.5	21.8	30.1	-	33.6	33.6		37.6	37.6	42.4	42.4	50.3	55.9	67.3	78.5	93.4	104.6	
Sensible(3)	kW	15.3	19.8	27.4	-	30.9	30.9		34.2	34.2	39.0	39.0	45.8	51.4	61.2	71.4	85.9	95.2	
DFC unit free cooling capacity																			
Free cooling(4)	kW	9.7	10.7	15.0	15.0	16.2	16.2		16.2	16.2	21.3	21.3	23.0	30.1	32.4	35.5	41.5	47.1	
Free cooling(5)	kW	19.4	21.3	30.1	30.1	32.4	32.4		32.4	32.4	42.5	42.5	45.9	60.1	64.8	70.9	83.1	94.2	
Compressor																			
Type		Hermetic scroll								Hermetic scroll									
Power input(2)	kW	39	44	58	58	65	67		7.7	7.4	9.8	10.0	11.6	13.0	15.4	17.4	19.4	23.2	
Supply fan																			
Type		Caseless backward EC centrifugal fan								Caseless backward EC centrifugal fan									
Qty. of fan	n.	1	1	1	1	1	1		1	1	2	2	2	3	3	3	3	3	
Air volume	m <sup>3</sup> /h	5750	6320	8900	8900	9600	9600		9600	9600	12600	12600	13600	17800	19200	21000	24600	27900	
External static (6)	Pa	Standard ESP is 75Pa, adjustment range is 50~300Pa								Standard ESP is 75Pa, adjustment range is 50~300Pa									
Power input	kW	1.0	1.2	1.4	1.4	1.7	1.7		1.7	1.7	2.4	2.4	2.8	3.6	3.9	4.0	4.2	5.1	
Noise level(7)	dB	63	63	66	66	66	66		66	66	66	66	69	69	69	69	69	69	
Air filter		G4/plate								G4/plate									
Electric heater(8)																			
Type		Stainless steel								Stainless steel									
Heating capacity	kW	6	6	9	9	9	9		9	9	13.5	13.5	13.5	18	18	18	18	18	
Working steps	n.	2	2	2	2	2	2		2	2	2	2	2	2	2	2	2	2	
Humidifier(8)																			
Type		Electrode								Electrode									
Capacity	kg/h	3	3	5	5	5	5		5	5	8	8	8	8	8	8	8	8	
Power input	kW	2.3	2.3	3.8	3.8	3.8	3.8		3.8	3.8	5.9	5.9	5.9	5.9	5.9	5.9	5.9	5.9	
Air condenser(9)																			
Model*Qty(CME)(10)		CME5*1	CME8*1	CME10*1	CME4*2	CME10*1	CME5*2		CME15*1	CME8*2	CME15*1	CME8*2	CME10*2	CME10*2	CME15*2	CME15*2	CME20*2	CME20*2	
Model*Qty(CME)(11)		CME8*1	CME10*1	CME15*1	CME5*2	CME15*1	CME8*2		CME20*1	CME10*2	CME20*1	CME10*2	CME15*2	CME15*2	CME20*2	CME20*2	CME25*2	CME25*2	
Model*Qty(AMAE)		AMAE5*1	AMAE6*1	AMAE8*1	AMAE5*2	AMAE10*1	AMAE5*2		AMAE12*1	AMAE5*2	AMAE15*1	AMAE6*2	AMAE8*2	AMAE10*2	AMAE12*2	AMAE15*2	AMAE18*2	AMAE20*2	
Dry cooler(only available for FC unit)																			
Model		CMEH20	CMEH30	CMEH40	-	CMEH40	CMEH40		CMEH50	CMEH50	CMEH50	CMEH50	CMEH60	CMEH60	CMEH70	CMEH80	CMEH50	CMEH60	
Qty		1	1	1	-	1	1		1	1	1	1	1	1	1	1	2	2	
FC unit free cooling coil/DC unit chilled water coil																			
Water flow	m <sup>3</sup> /h	3.2	4.2	5.7	-	6.6	6.6		7.3	7.3	8.1	8.1	9.5	10.8	12.9	13.6	16.2	17.8	
Pressure drop	kPa	26.2	46.5	42.1	-	53.3	53.3		37.7	37.7	77.2	77.2	62.3	76.2	63.5	69.1	100.3	118.1	
DFC unit fresh air inlet box(12)																			
Model*Qty		S1*1	S1*1	S2*1	S2*1	S2*1	S2*1		S2*1	S2*1	S1*2	S1*2	S1*2	S1+S2	S1+S2	S1+S2	S2*2	S2*2	
DFC unit air outlet box(13)																			
Model*Qty		B*1	B*1	B*1	B*1	B*1	B*1		B*1	B*1	B*2	B*2	B*2	B*2	B*2	B*2	B*3	B*3	
Power supply																			
Power source		380V/3Ph/50Hz								380V/3Ph/50Hz									
Unit max. operating power input	kW	14.3	15.8	20.0	15.8	22.5	17.9		24.3	18.9	33.1	25.9	29.4	36.7	39.0	42.4	47.2	49.2	
Unit max. operating current	A	25.5	27.6	35.0	26.1	38.5	34.3		43.3	34.9	57.5	43.1	54.8	60.7	72.8	79.0	91.2	93.4	
Unit piping connection																			
Humidifier water supply	in	1/2"	1/2"	1/2"	1/2"	1/2"	1/2"		1/2"	1/2"	1/2"	1/2"	1/2"	1/2"	1/2"	1/2"	1/2"	1/2"	
Condensing water drainage	in	3/4"	3/4"	3/4"	3/4"	3/4"	3/4"		3/4"	3/4"	3/4"	3/4"	3/4"	3/4"	3/4"	3/4"	3/4"	3/4"	
Refrigerant gas	mm	19	19	19	2×19	22	2×19		22	2×19	22	2×19	2×22	2×22	2×22	2×22	2×22	2×28	
Refrigerant liquid	mm	16	16	16	2×12	16	2×16		16	2×16	16	2×16	2×16	2×16	2×16	2×16	2×16	2×19	
Free cooling coil inlet/outlet water	in	1-1/4"	1-1/4"	1-1/4"	-	1-1/4"	1-1/4"		1-1/4"	1-1/4"	1-1/2"	1-1/2"	1-1/2"	1-1/2"	2"	2"	2"	2"	
Unit external dimensions																			
Width	mm	875	875	1480	1480	1480	1480		1480	1480	1750	1750	1750	2490	2490	2490	3095	3095	
Depth	mm	890	890	890	890	890	890		890	890	890	890	890	890	890	890	890	890	
Height	mm	1960	1960	1960	1960	1960	1960		1960	1960	1960	1960	1960	1960	1960	1960	2050	2050	
Net weight																			
OPTIMA(-DFC)	kg	265	280	370	390	410	415		415	415	510	530	550	700	730	760	910	930	
OPTIMA-FC/DC	kg	296	316	410	-	461	-		466	-	575	595	615	772	817	847	1020	1040	
Wooden packaging dimension(W*D*H)																			
OPTIMA(-DFC)	mm	985×1025×2160			1590×1025×2160				1590×1025×2160			1860×1025×2160			2600×1025×2160			3205×1025×2250	
OPTIMA-FC/DC	mm	1085×1025×2160			1690×1025×2160				1690×1025×2160			1960×1025×2160			2700×1025×2160			3305×1025×2250	
Wooden packaging weight																			
OPTIMA(-DFC)	kg	350	365	480	500	520	525		525	525	635	655	675	855	885	915	1095	1115	
OPTIMA-FC/DC	kg	381	401	520	-	571	-		576	-	700	720	740	927	972	1002	1205	1225	

(1) O:Up flow; U:Down flow;

(2) Return air dry bulb temperature 24°C, RH50%, condensing temperature 47°C;

(3) Return air dry bulb temperature 24°C, RH50%, chilled water inlet/outlet 7°C/12°C;

(4) The cooling capacity@indoor temperature and outdoor temperature difference (ΔT) is 5°C compressor not operating;

(5) The cooling capacity@indoor temperature and outdoor temperature difference (ΔT) is 10°C, compressor not operating;

(6) For ESP over 300 Pa, Contact manufacturer;

(7) Tested at 1m distance, free field;

(8) The default capacity, please refer to "electric heater/ humidifier selection sheet" for other capacity;

(9) CME adopts AC fan, AMAE adopts EC fan, choose according to demand.

(10) Ambient temperature is lower than 40°C;

(11) Ambient temperature is higher than 40°C;

(12) Packaged individually, please refer to "DFC Fresh Air Inlet Box" for specific parameters;

(13) Optional.

# OPTIMA(-DFC/FC/DC).DXW

Unit Model		26E1A2	30E1A2	35E1A2	40E1A3	40E2A3	50E2A3	60E2A4	70E2A4	80E2A4	90E2A5	100E2A5	
Supply air scheme(1)		O/U					O/U						
Cooling capacity													
Total (2)	kW	27.9	31.2	36.1	45.2	45.8	57.2	62.1	72.2	82.3	90.4	106.7	
Sensible(2)	kW	24.1	27.0	31.2	40.7	40.1	49.8	54.6	63.5	71.6	78.6	91.8	
FC unit free cooling/DC unit cooling coil capacity													
Total (3)	kW	30.1	33.6	37.6	42.4	42.4	50.3	55.9	67.3	78.5	93.4	104.6	
Sensible(3)	kW	27.4	30.9	34.2	39.0	39.0	45.8	51.4	61.2	71.4	85.9	95.2	
DFC unit free cooling capacity													
Free cooling(4)	kW	15.0	16.2	16.2	21.3	21.3	23.0	30.1	32.4	35.5	41.5	47.1	
Free cooling(5)	kW	30.1	32.4	32.4	42.5	42.5	45.9	60.1	64.8	70.9	83.1	94.2	
Compressor													
Type		Hermetic scroll					Hermetic scroll						
Power input(2)	kW	5.2	5.8	7.0	8.7	9.0	10.4	11.8	13.9	16.2	18.2	22.6	
Supply fan													
Type		Caseless backward EC centrifugal fan					Caseless backward EC centrifugal fan						
Qty. of fan	n.	1	1	1	2	2	2	3	3	3	3	3	
Air volume	m <sup>3</sup> /h	8900	9600	9600	12600	12600	13600	17800	19200	21000	24600	27900	
External static (6)	Pa	Standard ESP is 75Pa, adjustment range is 50-300Pa					Standard ESP is 75Pa, adjustment range is 50-300Pa						
Power input	kW	1.5	1.8	1.8	2.6	2.6	2.9	3.6	3.9	4.1	4.4	6.3	
Noise level(7)	dB	63	66	66	66	66	69	69	69	69	69	69	
Air filter		G4/plate					G4/plate						
Water condenser													
Water flow	m <sup>3</sup> /h	6.2	7.0	7.3	11.0	11.0	12.4	14.1	16.0	18.1	20.3	23.7	
Pressure drop	kPa	28.6	30.7	26.0	46.4	46.4	44.3	44.8	46.3	48.4	34.3	36.7	
Pressure drop(with valve)	kPa	44.6	50.7	47.5	63.4	63.4	62.8	58.3	61.3	69.9	51.8	55.2	
Water volume	L	1.8	1.9	2.2	4.0	4.0	4.5	5.2	5.8	6.4	7.3	8.1	
Dry cooler(8)													
Model		CMEH30	CMEH40	CMEH50	CMEH60	CMEH60	CMEH70	CMEH80	CMEH50	CMEH50	CMEH60	CMEH70	
Qty	n.	1	1	1	1	1	1	1	2	2	2	2	
FC unit free cooling coil/DC unit chilled water coil													
Water flow	m <sup>3</sup> /h	5.7	6.6	7.3	8.1	8.1	9.5	10.8	12.9	13.6	16.2	17.8	
Pressure drop	kPa	42.1	53.3	37.7	77.2	77.2	62.3	76.2	63.5	69.1	100.3	118.1	
DFC unit fresh air inlet box(9)													
Model*Qty		S2*1	S2*1	S2*1	S1*2	S1*2	S1*2	S1+S2	S1+S2	S1+S2	S2*2	S2*2	
DFC unit air outlet box(10)													
Model*Qty		B*1	B*1	B*1	B*2	B*2	B*2	B*2	B*2	B*2	B*3	B*3	
Electric heater(11)													
Type		Stainless steel					Stainless steel						
Heating capacity	kW	9.0	9.0	9.0	13.5	13.5	13.5	18.0	18.0	18.0	18.0	18.0	
Working steps	n.	2	2	2	2	2	2	2	2	2	2	2	
Humidifier(11)													
Type		Electrode					Electrode						
Capacity	kg/h	5	5	5	8	8	8	8	8	8	8	8	
Power input	kW	3.8	3.8	3.8	5.9	5.9	5.9	5.9	5.9	5.9	5.9	5.9	
Power supply													
Power source		380V/3Ph/50Hz					380V/3Ph/50Hz						
Unit max. operating power input	kW	19.3	21.8	23.0	31.8	25.3	28.1	36.0	37.2	39.9	44.7	46.7	
Unit max. operating current	A	31.6	35.1	37.3	51.5	40.1	48.0	57.3	59.5	67.0	79.2	81.4	
Unit piping connection													
Humidifier water supply	in	1/2"	1/2"	1/2"	1/2"	1/2"	1/2"	1/2"	1/2"	1/2"	1/2"	1/2"	
Condensing water drainage	in	3/4"	3/4"	3/4"	3/4"	3/4"	3/4"	3/4"	3/4"	3/4"	3/4"	3/4"	
Chilling water inlet/outlet	in	1-1/4"	1-1/4"	1-1/4"	1-1/2"	1-1/2"	1-1/2"	1-1/2"	2"	2"	2"	2"	
FC/DC unit free cooling coil water inlet/outlet	in	1-1/4"	1-1/4"	1-1/4"	1-1/2"	1-1/2"	1-1/2"	1-1/2"	2"	2"	2"	2"	
Unit external dimensions													
Width	mm	1480	1480	1480	1750	1750	1750	2490	2490	2490	3095	3095	
Depth	mm	890	890	890	890	890	890	890	890	890	890	890	
Height	mm	1960	1960	1960	1960	1960	1960	1960	1960	1960	2050	2050	
Net weight													
OPTIMA(-DFC)	kg	390	430	435	540	560	580	740	770	800	960	980	
OPTIMA-FC/DC	kg	430	481	486	605	625	645	812	857	887	1070	1090	
Wooden packaging dimension(W*D*H)													
OPTIMA(-DFC)	mm	1690x1025x2160			1960x1025x2160			1960x1025x2160		2700x1025x2160		3305x1025x2250	
OPTIMA-FC/DC	mm	1690x1025x2160			1960x1025x2160			1960x1025x2160		2700x1025x2160		3305x1025x2250	
Wooden packaging weight													
OPTIMA(-DFC)	kg	500	540	545	665	685	705	895	925	955	1145	1165	
OPTIMA-FC/DC	kg	540	591	596	730	750	770	967	1012	1042	1255	1275	

(1) O:Up flow; U:Down flow;

(2) Return air dry bulb temperature 24°C, RH50%, inlet/outlet chilling water temperature 30°C/35°C;

(3) Return air dry bulb temperature 24°C, RH50%, chilled water inlet/outlet 7°C/12°C;

(4) The cooling capacity@indoor temperature and outdoor temperature difference (ΔT) is 5°C compressor not operating;

(5) The cooling capacity@indoor temperature and outdoor temperature difference (ΔT) is 10°C, compressor not operating;

(6) For ESP over 300 Pa, Contact manufacturer;

(7) Tested at 1m distance, free field;

(8) Option, choose when the user can't provide cooling water system;

(9) Packaged individually, please refer to "DFC Fresh Air Inlet Box" for specific parameters;

(10) Option;

(11) The default capacity, please refer to "electric heater/ humidifier selection sheet" for other capacity.

## OPTIMA(-DFC).CW

Unit Model		20A1	30A1	40A2	45A2	55A3	65A3	80A4	100A4	120A5	140A5
<b>Supply air scheme(1)</b>		O/U									
<b>Cooling capacity</b>											
Total (2)	kW	24.8	30.3	40.8	47.7	55.8	66.5	80.5	100.2	112.1	134.5
Sensible(2)	kW	22.1	26.2	36.8	41.5	48.8	57.7	72.7	86.7	104.2	121.0
Total (3)	kW	19.3	23.8	31.5	37.4	43.5	50.0	62.7	76.1	92.8	112.9
Sensible(3)	kW	18.3	21.3	29.5	34.0	41.2	47.0	59.0	69.4	90.0	106.2
<b>DFC unit free cooling capacity</b>											
Free cooling(4)	kW	11.4	11.4	16.2	16.2	25.7	25.7	36.3	36.3	48.6	48.6
Free cooling(5)	kW	22.7	22.7	32.4	32.4	51.5	51.5	72.7	72.7	97.2	97.2
<b>Cooling coil</b>											
Water flow(2)	m <sup>3</sup> /h	4.2	5.2	6.8	8.1	9.1	11.0	13.6	16.8	18.3	21.8
Water flow(3)	m <sup>3</sup> /h	3.3	4.1	5.4	6.4	7.4	8.6	10.7	13.0	16.0	19.6
Water pressure drop(coil+valve)(2)	kPa	80.6	78.1	89.0	83.2	80.8	81.7	96.5	101.2	147.0	157.2
Water pressure drop(coil+valve)(3)	kPa	52.3	51.8	59.7	52.8	58.7	57.6	65.1	76.4	109.7	110.9
<b>Supply fan</b>											
Type		Caseless backward EC centrifugal fan									
Qty. of fan	n.	1	1	1	1	2	2	3	3	3	3
Air volume	m <sup>3</sup> /h	6750	6750	9600	9600	15300	15300	21600	21600	28900	28900
External static pressure (ESP) (6)	Pa	Standard ESP is 75Pa, adjustment range is 50~300Pa									
Power input	kW	1.4	1.5	2.2	2.5	2x1.7	2x2.0	3x1.7	3x2.0	3x2.1	3x2.5
Current	A	2.3	2.5	3.2	3.7	2x2.8	2x3.1	3x2.8	3x3.1	3x3.3	3x3.7
Power input(7)	kW	1.6	1.6	2.7	2.7	2x1.6	2x2.7	3x1.6	3x2.7	3x2.7	3x2.7
Current(7)	A	2.8	2.8	4.1	4.1	2x2.8	2x4.1	3x2.8	3x4.1	3x4.1	3x4.1
<b>Noise level(8)</b>	dB	63	63	66	66	66	69	69	69	69	69
<b>DFC unit fresh air inlet box(9)</b>											
Model*Qty		S1*1	S1*1	S2*1	S2*1	S1*2	S1*2	S1+S2	S1+S2	S2*2	S2*2
<b>DFC unit air outlet box(10)</b>											
Model*Qty		B*1	B*1	B*1	B*1	B*2	B*2	B*2	B*2	B*3	B*3
<b>Electric heater(11)</b>											
Type		Stainless steel									
Heating capacity	kW	6	6	9.0	9.0	13.5	13.5	18	18	18	18
Working steps	n.	2	2	2	2	2	2	2	2	2	2
<b>Humidifier(11)</b>											
Type		Electrode									
Capacity	kg/h	3	3	5	5	8	8	8	8	8	8
Power input	kW	2.3	2.3	3.8	3.8	6.0	6.0	6.0	6.0	6.0	6.0
<b>Power supply</b>											
Power source		380V/3Ph/50Hz									
Unit max. operating power input(12)	kW	11.2	11.3	15.0	15.3	22.9	23.5	29.1	30.0	30.3	31.5
Unit max. operating current(12)	A	17.1	17.3	22.4	22.9	35.2	35.8	44.9	45.8	46.4	47.6
<b>Unit piping connection</b>											
Humidifier water supply	in	1/2"	1/2"	1/2"	1/2"	1/2"	1/2"	1/2"	1/2"	1/2"	1/2"
Condensing water drainage	in	3/4"	3/4"	3/4"	3/4"	3/4"	3/4"	3/4"	3/4"	3/4"	3/4"
Chilling water inlet/outlet	in	1 1/4"	1 1/4"	1 1/4"	1 1/4"	1 1/2"	1 1/2"	2"	2"	2 1/2"	2 1/2"
<b>Unit external dimensions</b>											
Width	mm	875	875	1480	1480	1750	1750	2490	2490	3095	3095
Depth	mm	890	890	890	890	890	890	890	890	890	890
Height	mm	1960	1960	1960	1960	1960	1960	1960	1960	2050	2050
<b>Net weight</b>	kg	310	335	380	410	470	510	550	575	660	690
<b>Wooden packaging dimensions and weight</b>											
W*D*H	mm	1085x1025x2160		1690x1025x2160		1960x1025x2160		2700x1025x2160		3305x1025x2250	
Weight	kg	395	420	490	520	595	635	705	730	845	875

- (1) O:Up flow; U:Down flow;  
(2) Return air dry bulb temperature 24°C,RH50%, inlet/outlet chilled water temperature 7°C/12°C;  
(3) Return air dry bulb temperature 28°C,RH40%, inlet/outlet chilled water temperature 10°C/15°C;  
(4) The cooling capacity@indoor temperature and outdoor temperature difference (ΔT) is 5°C compressor not operating;  
(5) The cooling capacity@indoor temperature and outdoor temperature difference (ΔT) is 10°C, compressor not operating;  
(6) For ESP over 300 Pa, Contact manufacturer;  
(7) Option, AC fan;  
(8) Tested at 1m distance, free field;  
(9) Packaged individually, please refer to "DFC Fresh Air Inlet Box" for specific parameters;  
(10) Option;  
(11) The default capacity, please refer to "electric heater/ humidifier selection sheet" for other capacity;  
(12) Max. operating power input and current input: as above spec sheet, under the condition of dehumidification plus 100% electric reheat.

## OPTIMA(-DFC).CWD

Unit Model		20A1	30A1	40A2	45A2	55A3	65A3	80A4	100A4	120A5	140A5
<b>Supply air scheme(1)</b>		O/U									
<b>Cooling capacity(2)</b>											
Total (3)	kW	24.8	30.3	40.8	47.7	55.8	66.5	80.5	100.2	112.1	134.5
Sensible(3)	kW	22.1	26.2	36.8	41.5	48.8	57.7	72.7	86.7	104.2	121.0
Total (4)	kW	19.3	23.8	31.5	37.4	43.5	50.0	62.7	76.1	92.8	112.9
Sensible(4)	kW	18.3	21.3	29.5	34.0	41.2	47.0	59.0	69.4	90.0	106.2
<b>DFC unit free cooling capacity</b>											
Free cooling(5)	kW	11.4	11.4	16.2	16.2	25.7	25.7	36.3	36.3	48.6	48.6
Free cooling(6)	kW	22.7	22.7	32.4	32.4	51.5	51.5	72.7	72.7	97.2	97.2
<b>Cooling coil</b>											
Water flow(3)	m <sup>3</sup> /h	4.2	5.2	6.8	8.1	9.1	11.0	13.6	16.8	18.3	21.8
Water flow(4)	m <sup>3</sup> /h	3.3	4.1	5.4	6.4	7.4	8.6	10.7	13.0	16.0	19.6
Water pressure drop(coil+valve)(3)	kPa	80.6	78.1	89.0	83.2	80.8	81.7	96.5	101.2	147.0	157.2
Water pressure drop(coil+valve)(4)	kPa	52.3	51.8	59.7	52.8	58.7	57.6	65.1	76.4	109.7	110.9
<b>Supply fan</b>											
Type		Caseless backward EC centrifugal fan									
Qty. of fan	n.	1	1	1	1	2	2	3	3	3	3
Air volume	m <sup>3</sup> /h	6750	6750	9600	9600	15300	15300	21600	21600	28900	28900
External static pressure (ESP) (7)	Pa	Standard ESP is 75Pa, adjustment range is 50~300Pa									
Power input	kW	1.4	1.5	2.2	2.5	2x1.7	2x2.0	3x1.7	3x2.0	3x2.1	3x2.5
Current	A	2.3	2.5	3.2	3.7	2x2.8	2x3.1	3x2.8	3x3.1	3x3.3	3x3.7
Power input(8)	kW	1.6	1.6	2.7	2.7	2x1.6	2x2.7	3x1.6	3x2.7	3x2.7	3x2.7
Current(8)	A	2.8	2.8	4.1	4.1	2x2.8	2x4.1	3x2.8	3x4.1	3x4.1	3x4.1
<b>Noise level(9)</b>	dB	63	63	66	66	66	69	69	69	69	69
<b>DFC unit fresh air inlet box(10)</b>											
Model*Qty		S1*1	S1*1	S2*1	S2*1	S1*2	S1*2	S1+S2	S1+S2	S2*2	S2*2
<b>DFC unit air outlet box(11)</b>											
Model*Qty		B*1	B*1	B*1	B*1	B*2	B*2	B*2	B*2	B*3	B*3
<b>Electric heater(12)</b>											
Type		Stainless steel									
Heating capacity	kW	6	6	9.0	9.0	13.5	13.5	18	18	18	18
Working steps	n.	2	2	2	2	2	2	2	2	2	2
<b>Humidifier(12)</b>											
Type		Electrode									
Capacity	kg/h	3	3	5	5	8	8	8	8	8	8
Power input	kW	2.3	2.3	3.8	3.8	6.0	6.0	6.0	6.0	6.0	6.0
<b>Power supply</b>											
Power source		380V/3Ph/50Hz									
Unit max. operating power input(13)	kW	11.2	11.3	15.0	15.3	22.9	23.5	29.1	30.0	30.3	31.5
Unit max. operating current(13)	A	17.1	17.3	22.4	22.9	35.2	35.8	44.9	45.8	46.4	47.6
<b>Unit piping connection</b>											
Humidifier water supply	in	1/2"	1/2"	1/2"	1/2"	1/2"	1/2"	1/2"	1/2"	1/2"	1/2"
Condensing water drainage	in	3/4"	3/4"	3/4"	3/4"	3/4"	3/4"	3/4"	3/4"	3/4"	3/4"
Chilling water inlet/outlet	in	1 1/4"	1 1/4"	1 1/4"	1 1/4"	1 1/2"	1 1/2"	2"	2"	2 1/2"	2 1/2"
<b>Unit external dimensions</b>											
Width	mm	875	875	1480	1480	1750	1750	2490	2490	3095	3095
Depth	mm	890	890	890	890	890	890	890	890	890	890
Height	mm	1960	1960	1960	1960	1960	1960	1960	1960	2050	2050
<b>Net weight</b>	kg	327	356	408	448	504	556	600	642	730	785
<b>Wooden packaging dimensions and weight</b>											
W*D*H	mm	1085x1025x2160		1690x1025x2160		1960x1025x2160		2700x1025x2160		3305x1025x2250	
Weight	kg	412	441	518	558	629	681	755	802	915	970

- (1) O:Up flow; U:Down flow;  
(2) Single cooling coil offers. Under the standard condition, the total cooling capacity will increase by 45% when two coils work at the same time;  
(3)Return air dry bulb temperature 24°C,RH50%, inlet/outlet chilled water temperature 7°C/12°C;  
(4)Return air dry bulb temperature 28°C,RH40%, inlet/outlet chilled water temperature 10°C/15°C;  
(5)The cooling capacity@indoor temperature and outdoor temperature difference (ΔT) is 5°C compressor not operating;  
(6)The cooling capacity@indoor temperature and outdoor temperature difference (ΔT) is 10°C, compressor not operating;  
(7) For ESP over 300 Pa, Contact manufacturer;  
(8)Option, AC fan;  
(9)Tested at 1m distance, free field;  
(10) Packaged individually, please refer to "DFC Fresh Air Inlet Box" for specific parameters;  
(11) Option;  
(12)The default capacity, please refer to "electric heater/ humidifier selection sheet" for other capacity;  
(13) Max. operating power input and current input: as above spec sheet, under the condition of dehumidification plus 100% electric reheat.

## OPTIMA-INV(-DFC/FC/DC).DXA

Unit Model		16V1A1	20V1A1	26V1A2	30V1A2	35V1A2	40V1A3	45V2A3	50V2A3	60V2A4	70V2A4	80V2A4	90V2A5	100V2A5		
Supply air scheme(1)		O/U														
<b>Cooling capacity</b>																
Total (2)	kW	18.2	23.0	28.9	34.0	37.0	41.3	48.3	52.3	65.6	73.5	84.7	93.7	102.3		
Sensible(2)	kW	16.4	20.7	26.0	30.6	33.3	37.2	43.5	47.1	59.0	66.2	76.2	84.3	92.1		
<b>FC unit free cooling/DC unit cooling coil capacity</b>																
Total (3)	kW	18.6	22.9	29.6	37.3	40.5	43.6	55.2	55.2	63.1	77.5	84.1	102.5	116.2		
Sensible(3)	kW	16.7	20.6	26.3	33.2	36.0	39.7	50.2	50.2	57.4	70.5	75.7	92.3	104.6		
<b>DFC unit free cooling capacity</b>																
Free cooling(4)	kW	9.7	10.7	15.0	16.2	16.2	21.3	23.0	23.0	30.1	32.4	35.5	41.5	47.1		
Free cooling(5)	kW	19.4	21.3	30.1	32.4	32.4	42.5	45.9	45.9	60.1	64.8	70.9	83.1	94.2		
<b>Compressor(6)</b>																
Type		Hermetic inverter scroll														
Power input(2)	kW	3.6	4.6	5.8	7.0	7.5	8.5	9.6	10.6	12.9	14.8	17.3	19.1	19.8		
<b>Supply fan</b>																
Type		Caseless backward EC centrifugal fan														
Qty. of fan	n <sub>3</sub>	1	1	1	1	1	2	2	2	3	3	3	3	3		
Air volume	m <sup>3</sup> /h	5750	6320	8900	9600	9600	12600	12600	13600	17800	19200	21000	24600	27900		
External static (7)	Pa	Standard ESP is 75Pa, adjustment range is 50~300Pa														
Power input	kW	1.0	1.2	1.4	1.7	1.7	2.4	2.4	2.8	3.6	3.9	4.0	4.2	5.1		
<b>Noise level(8)</b>																
Air filter		G4/plate														
<b>Electric heater(9)</b>																
Type		Stainless steel														
Heating capacity	kW	6	6	9	9	9	13.5	13.5	13.5	18	18	18	18	18		
Working steps	n.	2	2	2	2	2	2	2	2	2	2	2	2	2		
<b>Humidifier(9)</b>																
Type		Electrode														
Capacity	kg/h	3	3	5	5	5	8	8	8	8	8	8	8	8		
Power input	kW	2.3	2.3	3.8	3.8	3.8	5.9	5.9	5.9	5.9	5.9	5.9	5.9	5.9		
<b>Air condenser(10)</b>																
Model*Qty		AMAE5*1	AMAE6*1	AMAE8*1	AMAE10*1	AMAE12*1	AMAE12*1	AMAE8*2	AMAE8*2	AMAE10*2	AMAE12*2	AMAE15*2	AMAE18*2	AMAE20*2		
Model*Qty		CME5*1	CME8*1	CME10*1	CME10*1	CME15*1	CME15*1	CME8*2	CME10*2	CME10*2	CME15*2	CME15*2	CME20*2	CME20*2		
<b>Dry cooler(only available for FC unit)</b>																
Model		CMEH20	CMEH30	CMEH30	CMEH40	CMEH50	CMEH60	CMEH70	CMEH70	CMEH80	CMEH50	CMEH50	CMEH60	CMEH70		
Qty		1	1	1	1	1	1	1	1	1	2	2	2	2		
<b>FC unit free cooling coil/DC unit chilled water coil</b>																
Water flow	m <sup>3</sup> /h	3.2	4.1	5.2	6.7	7.1	7.5	9.5	9.5	10.7	13.2	14.2	17.2	19.2		
Pressure drop	kPa	54.2	45.2	56.4	63.1	69.2	56.7	51.4	51.4	62.2	54.6	61.3	100.3	118.1		
<b>DFC unit fresh air inlet box(11)</b>																
Model*Qty		S1*1	S1*1	S2*1	S2*1	S2*1	S1*2	S1*2	S1*2	S1+S2	S1+S2	S1+S2	S2*2	S2*2		
<b>DFC unit air outlet box(12)</b>																
Model*Qty		B*1	B*1	B*1	B*1	B*1	B*2	B*2	B*2	B*2	B*2	B*2	B*3	B*3		
<b>Power supply</b>																
Power source		380V/3Ph/50Hz														
Unit max. operating power input	kW	16.7	16.7	21.7	23.8	27.2	36.7	29.3	29.8	35.5	41.0	44.5	45.9	49.6		
Unit max. operating current	A	30.7	30.7	38.3	42.9	50.2	64.4	51.4	51.9	62.8	73.1	77.7	80.2	93.1		
<b>Unit piping connection</b>																
Humidifier water supply	in	1/2"														
Condensing water drainage	in	3/4"														
Refrigerant gas	mm	19	19	19	22	22	22	2×19	2×19	2×19	2×22	2×22	2×22	2×28		
Refrigerant liquid	mm	16	16	16	16	16	16	2×16	2×16	2×16	2×16	2×16	2×19	2×19		
Free cooling coil inlet/outlet water	in	1-1/4"	1-1/4"	1-1/4"	1-1/4"	1-1/4"	1-1/2"	1-1/2"	1-1/2"	1-1/2"	2"	2"	2"	2"		
<b>Unit external dimensions</b>																
Width	mm	875	875	1480	1480	1480	1750	1750	1750	2490	2490	2490	3095	3095		
Depth	mm	890	890	890	890	890	890	890	890	890	890	890	890	890		
Height	mm	1960	1960	1960	1960	1960	1960	1960	1960	1960	1960	1960	2050	2050		
<b>Net weight</b>																
OPTIMA-INV(-DFC)	kg	265	280	370	410	415	510	530	550	700	730	760	910	930		
OPTIMA-INV-FC/DC	kg	296	316	410	461	466	575	595	615	772	817	847	1020	1040		
<b>Wooden packaging dimension</b>																
OPTIMA-INV(-DFC)	mm	985×1025×2160			1590×1025×2160			1860×1025×2160			2600×1025×2160			3205×1025×2250		
OPTIMA-INV-FC/DC	mm	1085×1025×2160			1690×1025×2160			1960×1025×2160			2700×1025×2160			3305×1025×2250		
<b>Wooden packaging weight</b>																
OPTIMA-INV(-DFC)	kg	350	365	480	520	525	635	655	675	855	885	915	1095	1115		
OPTIMA-INV-FC/DC	kg	381	401	520	571	576	700	720	740	927	972	1002	1205	1225		

- (1) O:Up flow; U:Down flow;
- (2) Return air dry bulb temperature 24℃, RH50%, condensing temperature 47℃;
- (3) Return air dry bulb temperature 24℃, RH50%, inlet/outlet chilled water temperature 7℃/12℃;
- (4) The cooling capacity@indoor temperature and outdoor temperature difference (ΔT) is 5℃ compressor not operating;
- (5) The cooling capacity@indoor temperature and outdoor temperature difference (ΔT) is 10℃, compressor not operating;
- (6) For dual refrigerating circuit units, including a hermetic fixed frequency scroll compressor except for a hermetic inverter scroll compressor;
- (7) For ESP over 300 Pa, Contact manufacturer;
- (8) Tested at 1m distance, free field;
- (9) The default capacity, please refer to "electric heater/ humidifier selection sheet" for other capacity;
- (10) CME adopts AC fan, AMAE adopts EC fan, choose according to demand;
- (11) Packaged individually, please refer to "DFC Fresh Air Inlet Box" for specific parameters;
- (12) Optional.

## OPTIMA-INV(-DFC/FC/DC).DXW

Unit Model		26V1A2	30V1A2	35V1A2	40V1A3	45V2A3	50V2A3	60V2A4	70V2A4	80V2A4	90V2A5	100V2A5	
Supply air scheme(1)		O/U											
<b>Cooling capacity</b>													
Total (2)	kW	26.7	31.1	36.1	44.1	46.0	53.1	62.1	72.2	83.2	93.6	105.6	
Sensible(2)	kW	24.6	28.6	33.2	40.6	42.3	48.9	57.1	66.4	76.5	86.1	97.2	
<b>FC unit free cooling/DC unit cooling coil capacity</b>													
Total (3)	kW	29.6	37.3	40.5	43.6	55.2	55.2	63.1	77.5	84.1	102.5	116.2	
Sensible(3)	kW	26.3	33.2	36.0	39.7	50.2	50.2	57.4	70.5	75.7	92.3	104.6	
<b>DFC unit free cooling capacity</b>													
Free cooling(4)	kW	15.0	16.2	16.2	21.3	23.0	23.0	30.1	32.4	35.5	41.5	47.1	
Free cooling(5)	kW	30.1	32.4	32.4	42.5	45.9	45.9	60.1	64.8	70.9	83.1	94.2	
<b>Compressor(6)</b>													
Type		Hermetic inverter scroll											
Power input(2)	kW	5.9	6.4	7.0	8.6	9.1	9.8	12.1	13.2	15.8	18.1	20.5	
<b>Supply fan</b>													
Type		Caseless backward EC centrifugal fan											
Qty. of fan	n.	1	1	1	2	2	2	3	3	3	3	3	
Air volume	m <sup>3</sup> /h	8900	9600	9600	12600	12600	13600	17800	19200	21000	24600	27900	
External static (7)	Pa	Standard ESP is 75Pa, adjustment range is 50~300Pa											
Power input	kW	1.5	1.8	1.8	2.6	2.6	2.9	3.6	3.9	4.1	4.4	6.3	
<b>Noise level(8)</b>													
Air filter		G4/plate											
<b>Water condenser</b>													
Water flow	m <sup>3</sup> /h	6.2	7.3	8.3	11.0	11.8	12.4	14.1	16.0	18.1	20.3	23.5	
Pressure drop	kPa	28.6	26.0	32.3	46.4	46.9	44.3	44.8	46.3	48.4	34.3	36.7	
Pressure drop(with valve)	kPa	44.6	47.5	55.6	63.4	65.1	62.8	58.3	61.3	69.9	51.8	55.2	
Water volume	L	1.8	2.2	3.2	4.0	4.2	4.5	5.2	5.8	6.4	7.3	8.1	
<b>Dry cooler(9)</b>													
Model		CMEH30	CMEH40	CMEH50	CMEH60	CMEH70	CMEH70	CMEH80	CMEH50	CMEH50	CMEH60	CMEH70	
Qty		1	1	1	1	1	1	1	2	2	2	2	
<b>FC unit free cooling coil/DC unit chilled water coil</b>													
Water flow	m <sup>3</sup> /h	5.2	6.7	7.1	7.5	9.5	9.5	10.7	13.2	14.2	17.2	19.2	
Pressure drop	kPa	56.4	63.1	69.2	56.7	51.4	51.4	62.2	54.6	61.3	100.3	118.1	
<b>DFC unit fresh air inlet box(10)</b>													
Model*Qty		S2*1	S2*1	S2*1	S1*2	S1*2	S1*2	S1+S2	S1+S2	S1+S2	S2*2	S2*2	
<b>DFC unit air outlet box(11)</b>													
Model*Qty		B*1	B*1	B*1	B*2	B*2	B*2	B*2	B*2	B*2	B*3	B*3	
<b>Electric heater(12)</b>													
Type		Stainless steel											
Heating capacity	kW	9	9	9	13.5	13.5	13.5	18	18	18	18	18	
Working steps	n.	2	2	2	2	2	2	2	2	2	2	2	
<b>Humidifier(12)</b>													
Type		Electrode											
Capacity	kg/h	5	5	5	8	8	8	8	8	8	8	8	
Power input	kW	3.8	3.8	3.8	5.9	5.9	5.9	5.9	5.9	5.9	5.9	5.9	
<b>Power supply</b>													
Power source		380V/3Ph/50Hz											
Unit max. operating power input	kW	21.1	23.2	25.9	35.4	35.6	28.5	34.2	38.5	42.0	43.4	47.1	
Unit max. operating current	A	35.5	40.1	44.6	58.8	59.8	48.9	59.8	67.1	72.1	74.6	87.5	
<b>Unit piping connection</b>													
Humidifier water supply	in	1/2"											
Condensing water drainage	in	3/4"											
Chilling water inlet/outlet	in	1-1/4"	1-1/4"	1-1/4"	1-1/2"	1-1/2"	1-1/2"	1-1/2"	1-1/2"	2"	2"	2"	
FC/DC unit free cooling coil water inlet/outlet	in	1-1/4"	1-1/4"	1-1/4"	1-1/2"	1-1/2"	1-1/2"	1-1/2"	2"	2"	2"	2"	
<b>Unit external dimensions</b>													
Width	mm	1480	1480	1480	1750	1750	1750	2490	2490	2490	3095	3095	
Depth	mm	890	890	890	890	890	890	890	890	890	890	890	
Height	mm	1960	1960	1960	1960	1960	1960	1960	1960	1960	2050	2050	
<b>Net weight</b>													
OPTIMA-INV(-DFC)	kg	390	430	435	540	560	580	740	770	800	960	980	
OPTIMA-INV-FC/DC	kg	430	481	486	605	625	645	812	857	887	1070	1090	
<b>Wooden packaging dimension</b>													
OPTIMA-INV(-DFC)	mm	1690×1025×2160			1960×1025×2160			2700×1025×2160			3305×1025×2250		
OPTIMA-INV-FC/DC	mm	1690×1025×2160			1960×1025×2160			2700×1025×2160			3305×1025×2250		
<b>Wooden packaging weight</b>													
OPTIMA-INV(-DFC)	kg	500	540	545	665	685	705	895	925	955	1145	1165	
OPTIMA-INV-FC/DC	kg												

## DFC Fresh Air Inlet Box

Model		S1	S2
<b>G4 Panel air filter</b>			
Size	mm	780*592*44	780*592*44 592*592*44
Qty	n.	1	1 1
<b>F7 Bag air filter</b>			
Size	mm	780*592*381	780*592*381 592*592*381
Qty	n.	1	1 1
<b>Air inlet/outlet</b>			
Length	mm	730	1330
Width	mm	400	400
<b>Unit external dimensions and Weight</b>			
Width	mm	870	1480
Depth	mm	680	680
Height	mm	1450	1450
Weight	kg	90	143
<b>Wooden packaging dimensions and Weight</b>			
Width	mm	1020	1630
Depth	mm	820	820
Height	mm	1650	1650
Weight	kg	164	234

## CME air cooled condenser

Model		CME5	CME8	CME10	CME15	CME20	CME25
<b>Capacity (1)</b>	kW	20.5	29.6	35.4	47.6	67.4	73.1
<b>Fan</b>							
Fan qty.	No.	1	1	1	2	2	2
Air flow rate	m <sup>3</sup> /h	5600	10100	9700	11600	20100	19100
Input power	kW	0.37	0.63	0.63	0.74	1.26	1.26
Input current	A	1.7	3.0	3.0	3.4	6.0	6.0
<b>Connection tube size</b>							
Gas pipe	mm	19	22	22	22	28	35
Liquid pipe	mm	12	16	16	19	19	22
<b>Unit external dimensions and Weight</b>							
Length	mm	1140	1340	1340	1540	2400	2400
Width	mm	475	620	620	620	630	630
Height	mm	770	1070	1070	1070	1135	1135
Weight	kg	47	95	110	130	155	185
<b>Wooden packaging dimensions and Weight</b>							
Width	mm	1225	1455	1455	1655	2515	2515
Depth	mm	610	755	755	755	765	765
Height	mm	925	1225	1225	1225	1290	1290
Weight	kg	82	145	160	180	205	235

(1)The capacity is rated at entering air temperature 35°C and condensing temperature 50°C condition.

## AMAE air cooled condenser

Model		AMAE5	AMAE6	AMAE8	AMAE10	AMAE12	AMAE15	AMAE18	AMAE20
<b>Capacity (1)</b>	kW	24.2	29.7	36.2	41.3	50.7	57.2	62.4	74.3
<b>Fan</b>									
Fan qty.	No.	1	1	1	1	2	2	2	2
Air flow rate	m <sup>3</sup> /h	12500	11600	11800	11500	23500	22000	23400	22600
Input power	kW	0.63	0.63	0.63	0.63	1.26	1.26	1.26	1.26
Input current	A	2.8	2.8	2.8	2.8	5.6	5.6	5.6	5.6
<b>Connection tube size</b>									
Gas pipe	mm	19	19	19	22	22	22	22	28
Liquid pipe	mm	16	16	16	16	16	16	19	19
<b>Unit external dimensions and Weight</b>									
Length	mm	1365	1365	1665	1665	1985	1985	2785	2785
Width	mm	620	620	620	620	620	620	620	620
Height	mm	1080	1080	1080	1080	1080	1080	1080	1080
Weight	kg	60	73	92	109	130	139	163	177
<b>Wooden packaging dimensions and Weight</b>									
Width	mm	1480	1480	1780	1780	2100	2100	2900	2900
Depth	mm	755	755	755	755	755	755	755	755
Height	mm	1235	1235	1235	1235	1235	1235	1235	1235
Weight	kg	118	131	150	167	188	197	231	245

(1)The capacity is rated at entering air temperature 35°C and condensing temperature 50°C condition.

## CMEH Dry Cooler

Unit model		CMEH20	CMEH30	CMEH40	CMEH50	CMEH60	CMEH70	CMEH80
<b>Capacity (1)</b>	kW	23.2	31.2	45.3	56.7	61.5	75.2	83.1
<b>Water flow</b>	m <sup>3</sup> /h	3.5	5.2	6.2	9.3	10.2	10.6	11.8
<b>Pressure drop</b>	kpa	71.1	68.2	58.7	57.6	69.1	72.3	78.5
<b>Fan</b>								
Air flow rate	m <sup>3</sup> /h	12100	11200	22800	23200	21800	33600	32400
Fan Qty.	n.	1	1	2	2	2	3	3
Input power	kW	0.75	0.75	1.5	1.5	1.5	2.3	2.3
Input current	A	3.3	3.3	6.6	6.6	6.6	10.1	10.1
<b>Connection tube size</b>								
Gas pipe Φ	in	1-1/4"	1-1/4"	1-1/2"	1-1/2"	1-1/2"	2"	2"
Liquid pipe Φ	in	1-1/4"	1-1/4"	1-1/2"	1-1/2"	1-1/2"	2"	2"
<b>Unit external dimensions and Weight</b>								
Length	mm	1350	1350	1980	2700	2700	3580	3580
Width	mm	620	620	620	620	620	620	620
Height	mm	1070	1070	1120	1120	1120	1120	1120
Weight	kg	95	115	145	175	195	235	255
<b>Wooden packaging dimensions and Weight</b>								
Width	mm	1470	1470	2100	2710	2810	3700	3700
Depth	mm	885	885	885	885	885	885	885
Height	mm	1240	1240	1290	1290	1290	1290	1290
Weight	kg	145	165	195	235	245	320	340

(1) The capacity is rated at entering air temperature 35°C and inlet water temperature 45°C condition.

## PUG Pump Group Box

Unit model		PUG5	PUG10	PUG15	PUG20	PUG25
Water flow	m <sup>3</sup> /h	5.6	9.5	15.2	20.2	25.3
Pressure	m	26	27	28	26	26
Pump Qty.	n.	2	2	2	2	2
Input power	kW	1.1	1.5	2.2	3	4
Input current	A	2.6	3.1	4.9	6.3	8.1
<b>Connection tube size</b>						
Gas pipe	in	1-1/4"	1-1/2"	2"	2"	2"
Liquid pipe	in	1-1/4"	1-1/2"	2"	2"	2"
<b>Unit external dimensions and Weight</b>						
Length	mm	1390	1390	1390	1390	1390
Width	mm	750	750	750	750	750
Height	mm	1050	1050	1050	1050	1050
Weight	kg	115	120	150	163	180

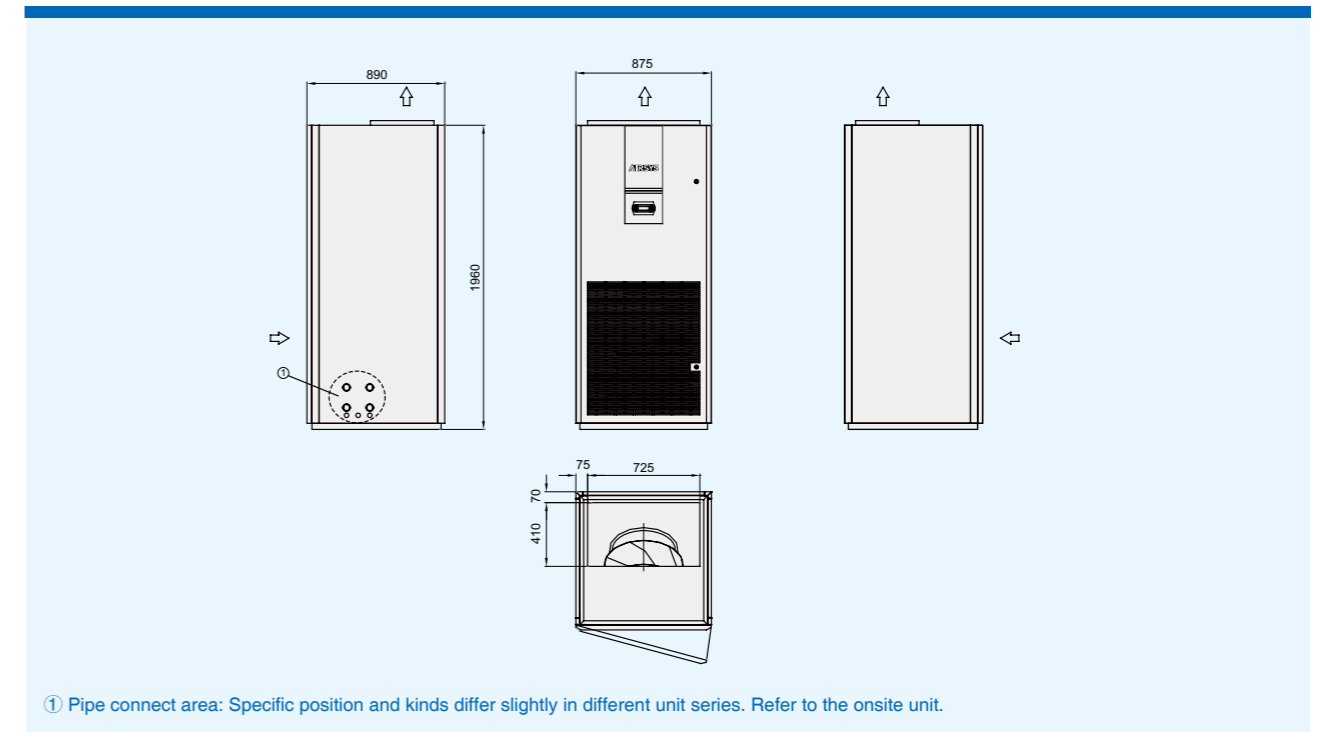
(1) Each unit is equipped with two pumps, use one and the other one stand by. Above parameters is rated at signal pump works.

## Supply Air Plenum ( Option)

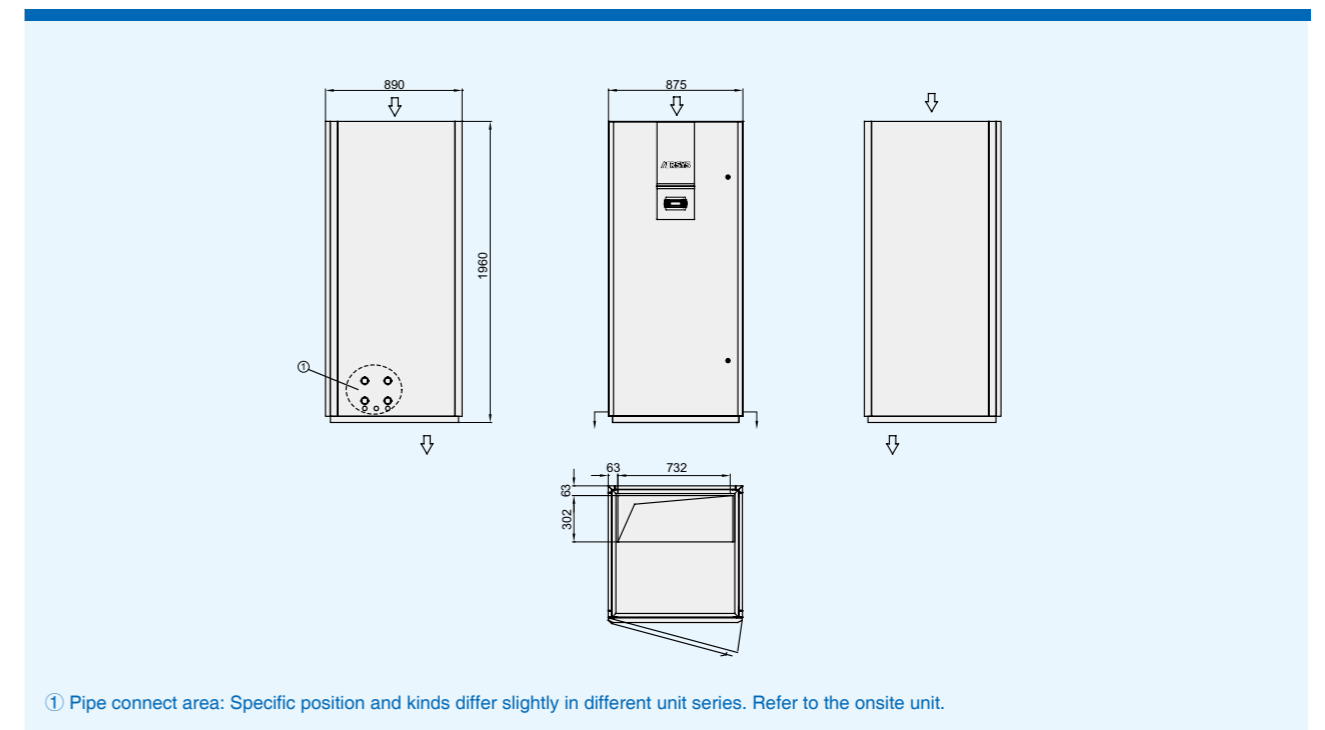
Cabinet Size		A1	A2	A3	A4	A5
Width	mm	875	1480	1750	2490	3095
Depth	mm	890	890	890	890	890
Height	mm	470	470	470	470	470
Weight	kg	32	55	66	87	95

# Unit Dimension Drawing

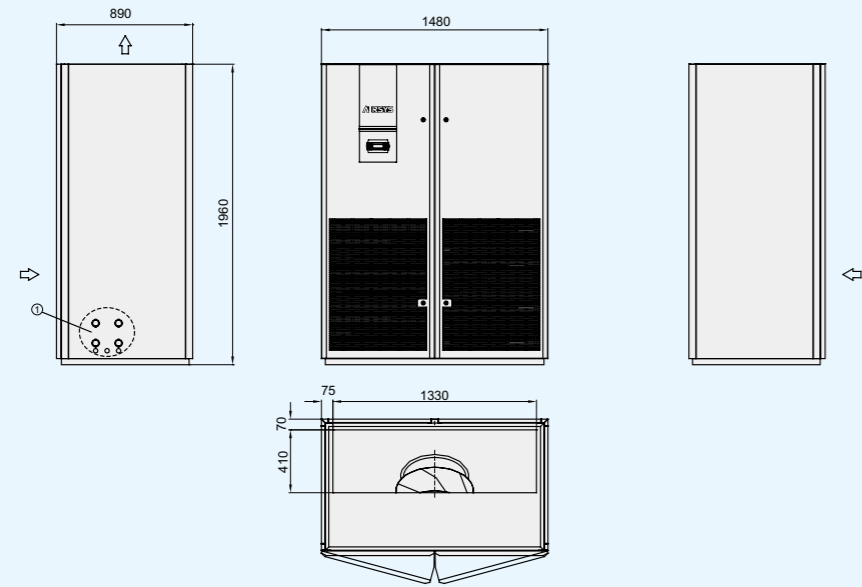
## A1 Unit Cabinet Dimension Drawing for Up Flow Unit



## A1 Unit Cabinet Dimension Drawing for Under Flow Unit

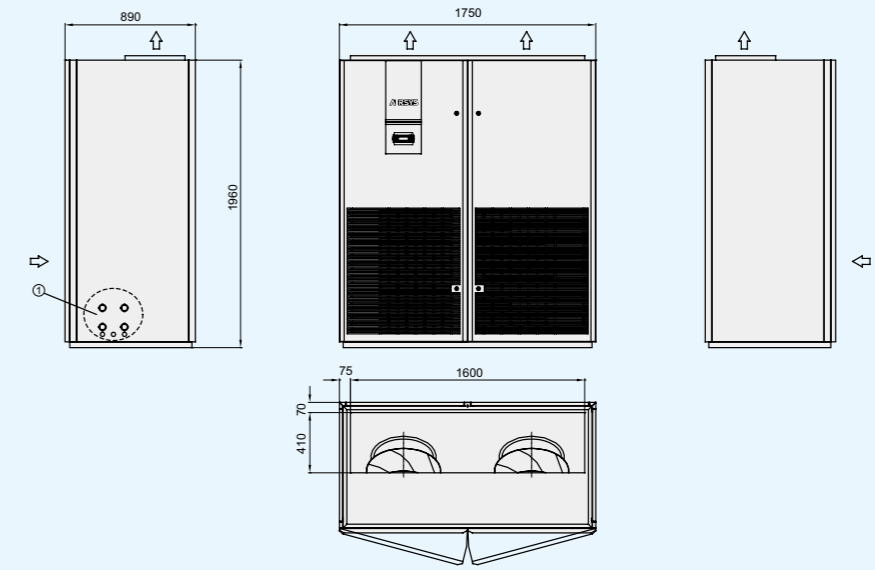


### A2 Unit Cabinet Dimension Drawing for Up Flow Unit



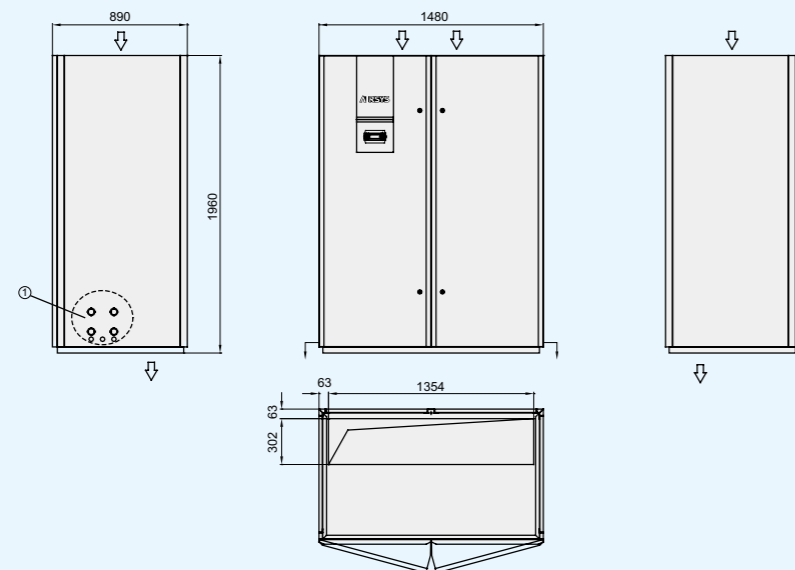
① Pipe connect area: Specific position and kinds differ slightly in different unit series. Refer to the onsite unit.

### A3 Unit Cabinet Dimension Drawing for Up Flow Unit



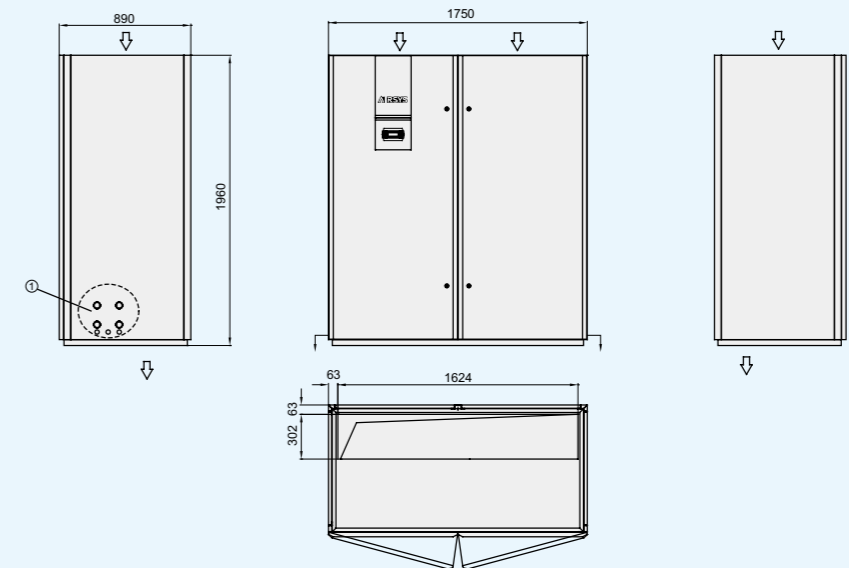
① Pipe connect area: Specific position and kinds differ slightly in different unit series. Refer to the onsite unit.

### A2 Unit Cabinet Dimension Drawing for Under Flow Unit



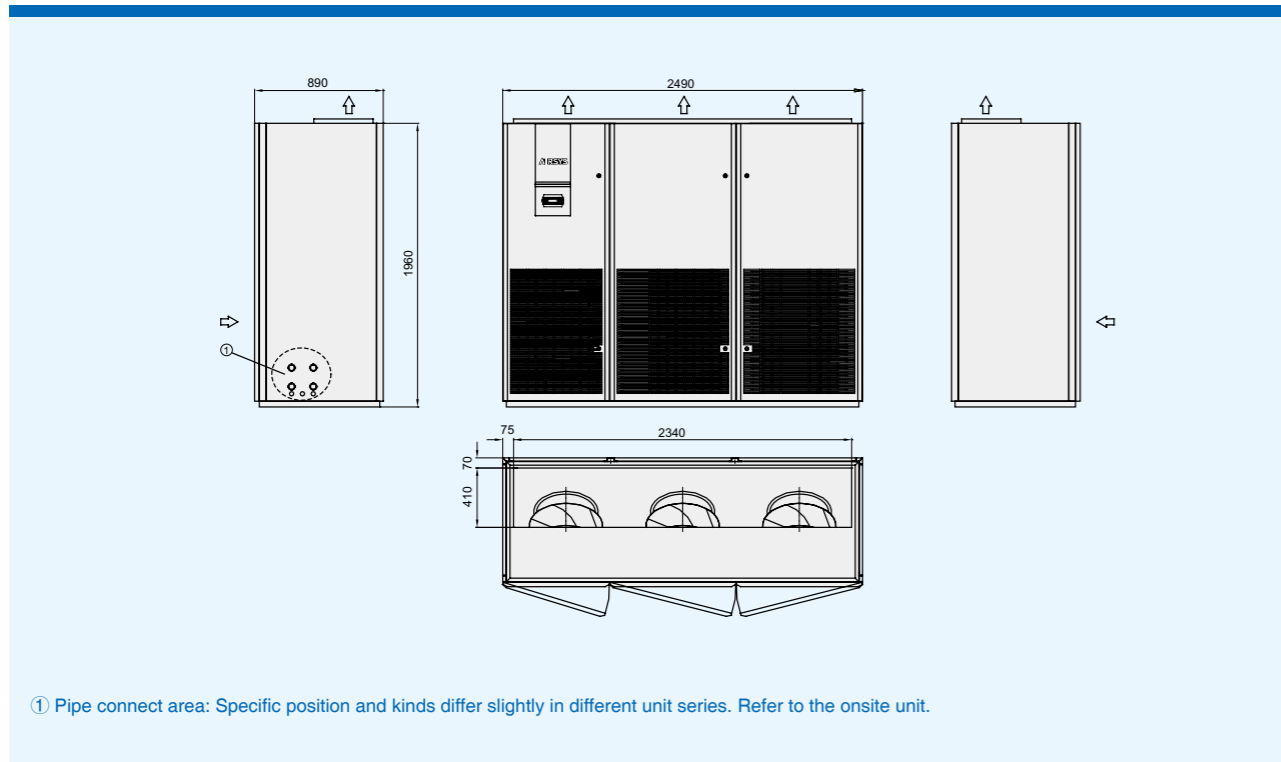
① Pipe connect area: Specific position and kinds differ slightly in different unit series. Refer to the onsite unit.

### A3 Unit Cabinet Dimension Drawing for Under Flow Unit

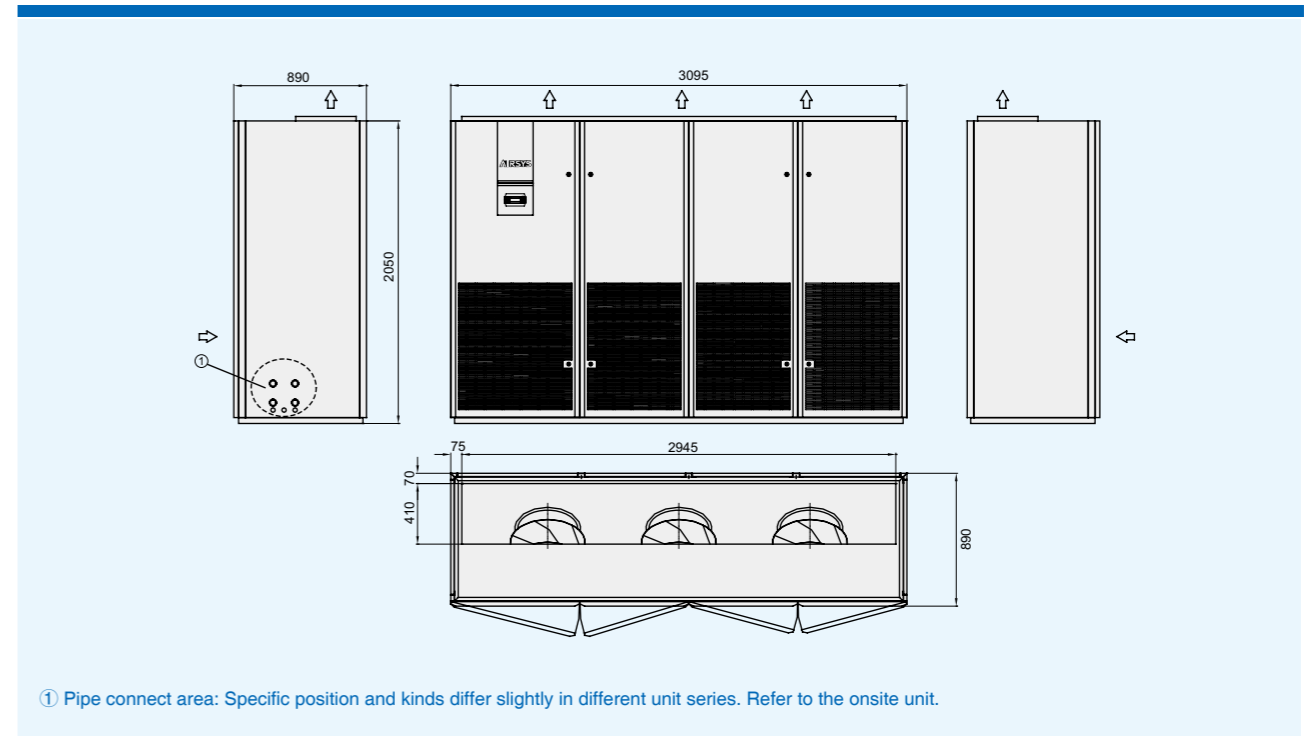


① Pipe connect area: Specific position and kinds differ slightly in different unit series. Refer to the onsite unit.

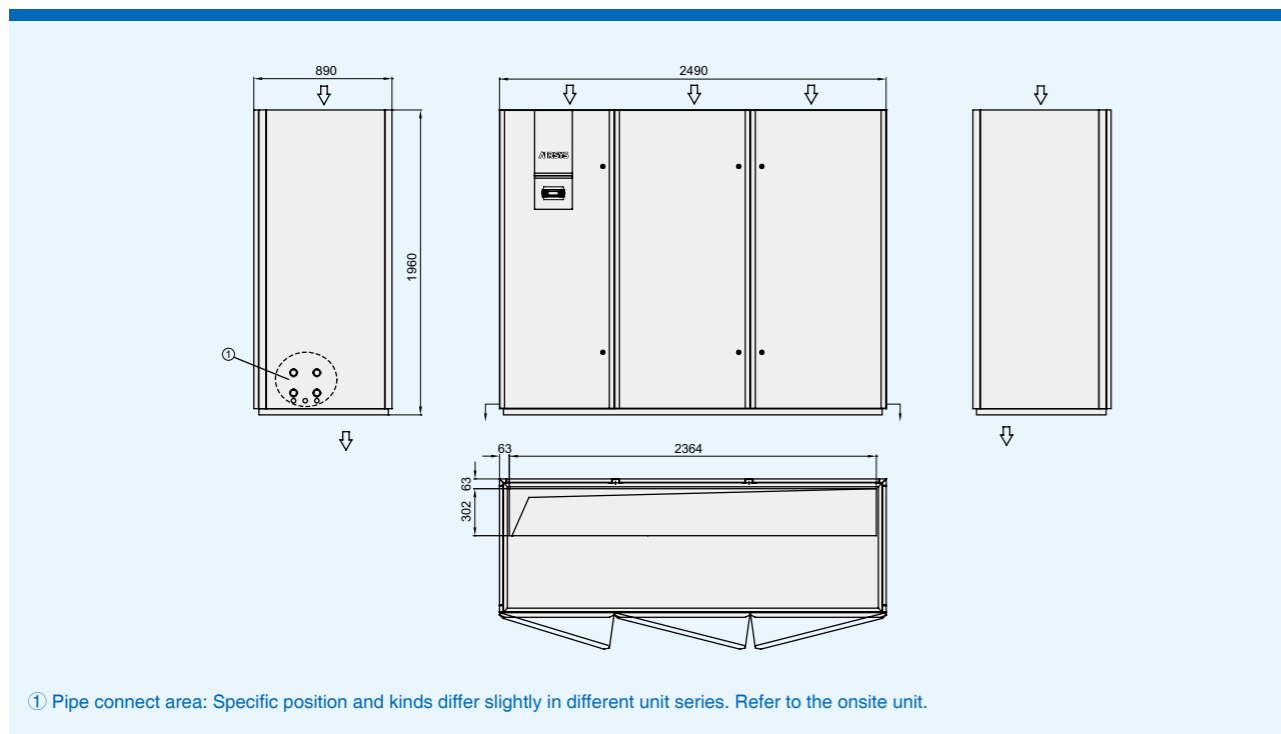
*A4 Unit Cabinet Dimension Drawing for Up Flow Unit*



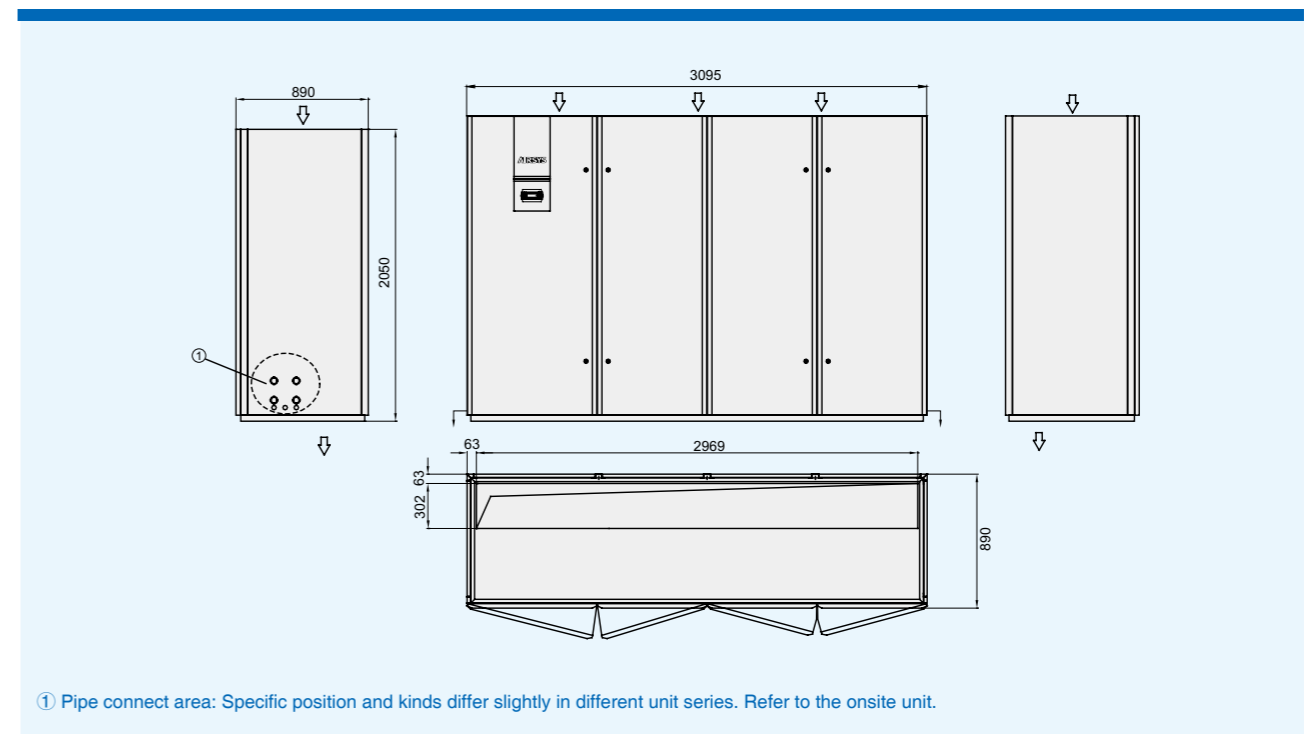
*A5 Unit Cabinet Dimension Drawing for Up Flow Unit*



*A4 Unit Cabinet Dimension Drawing for Under Flow Unit*

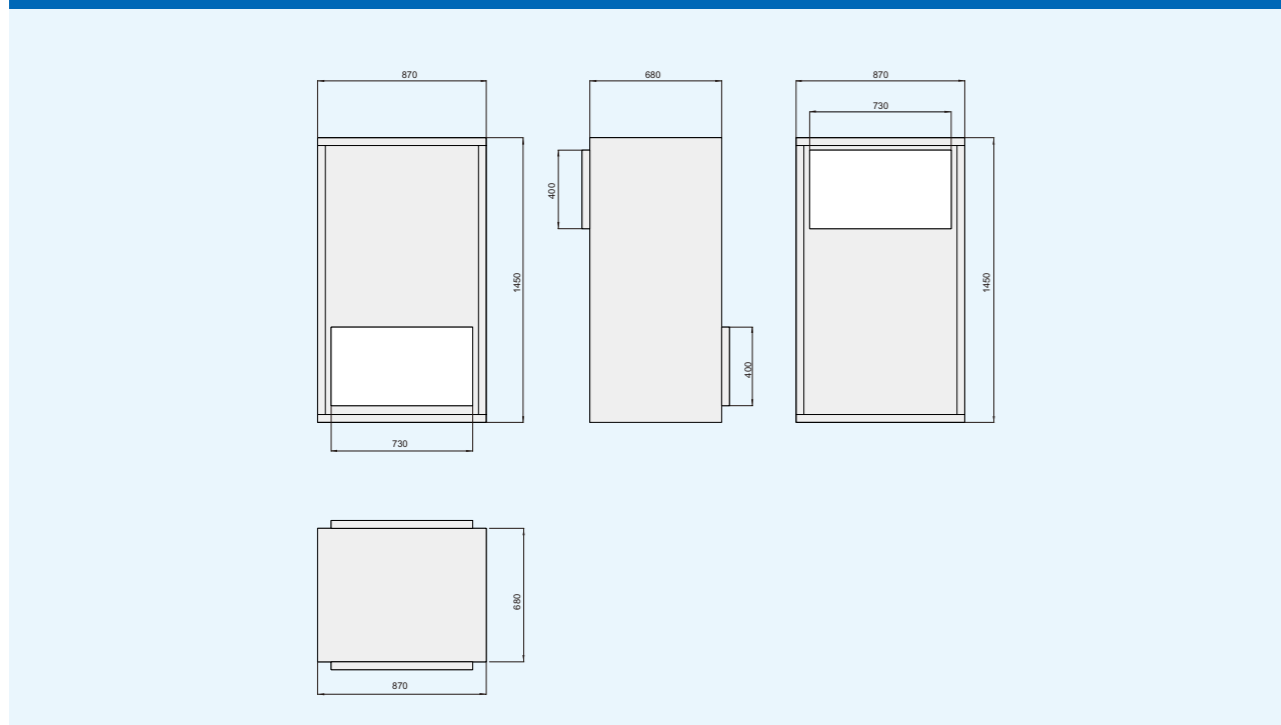


*A5 Unit Cabinet Dimension Drawing for Under Flow Unit*

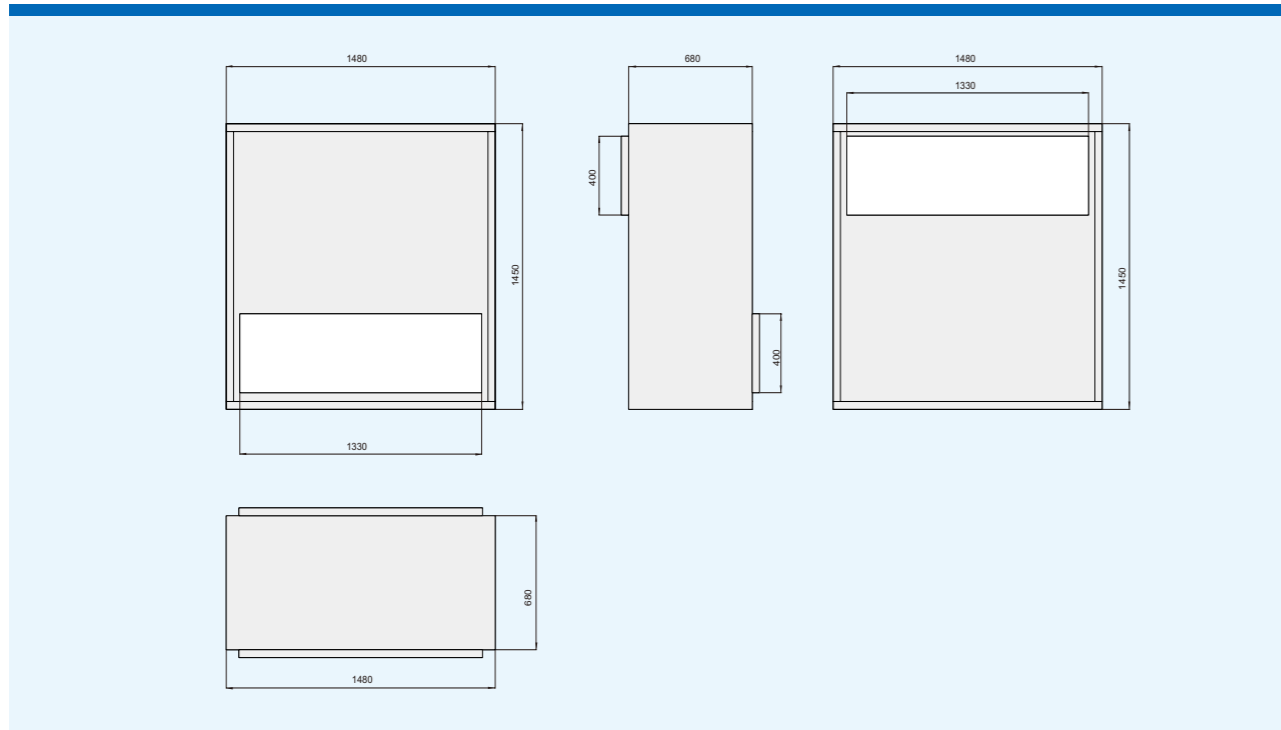


## OPTIMA-DFC Fresh Air Inlet Box Dimension Drawing

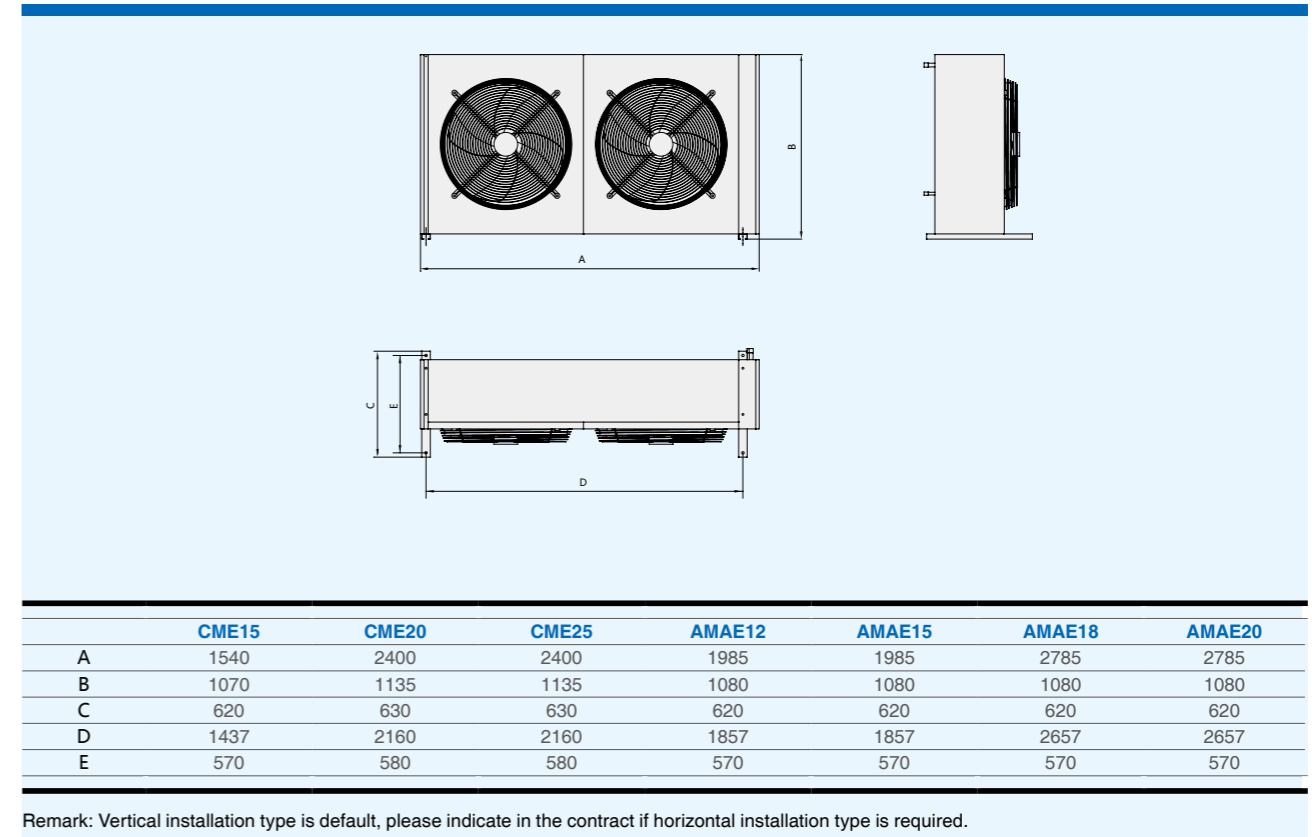
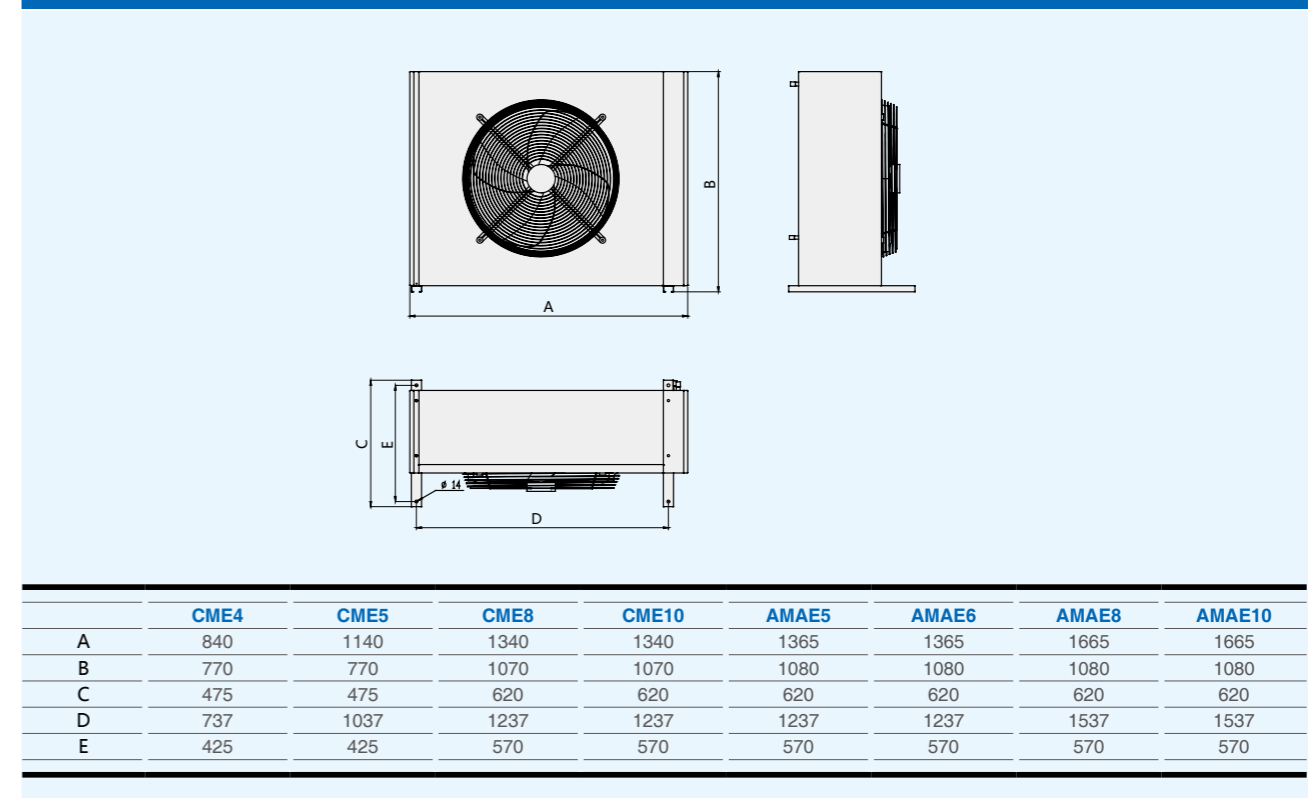
### S1 Fresh Air Inlet Box



### S2 Fresh Air Inlet Box

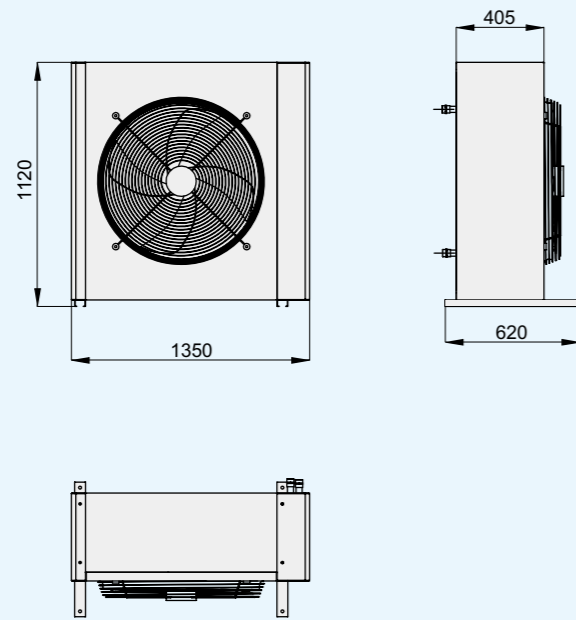


## Air Cooled Condenser Dimension Drawing

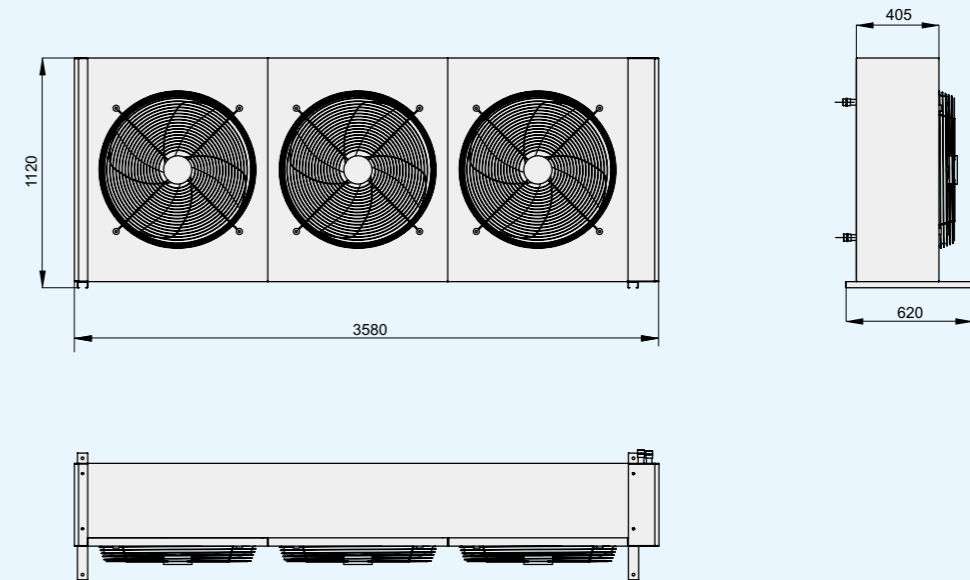


Remark: Vertical installation type is default, please indicate in the contract if horizontal installation type is required.

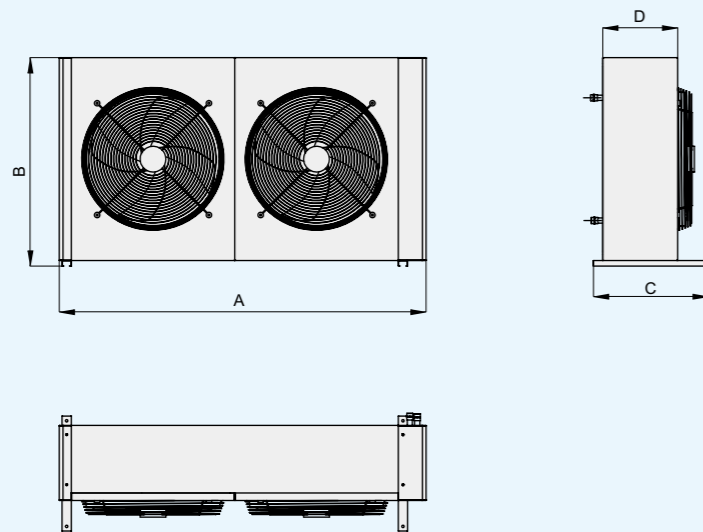
CMEH Dry Cooler Dimension Drawing  
CMEH20/CMEH30



CMEH70/CMEH80

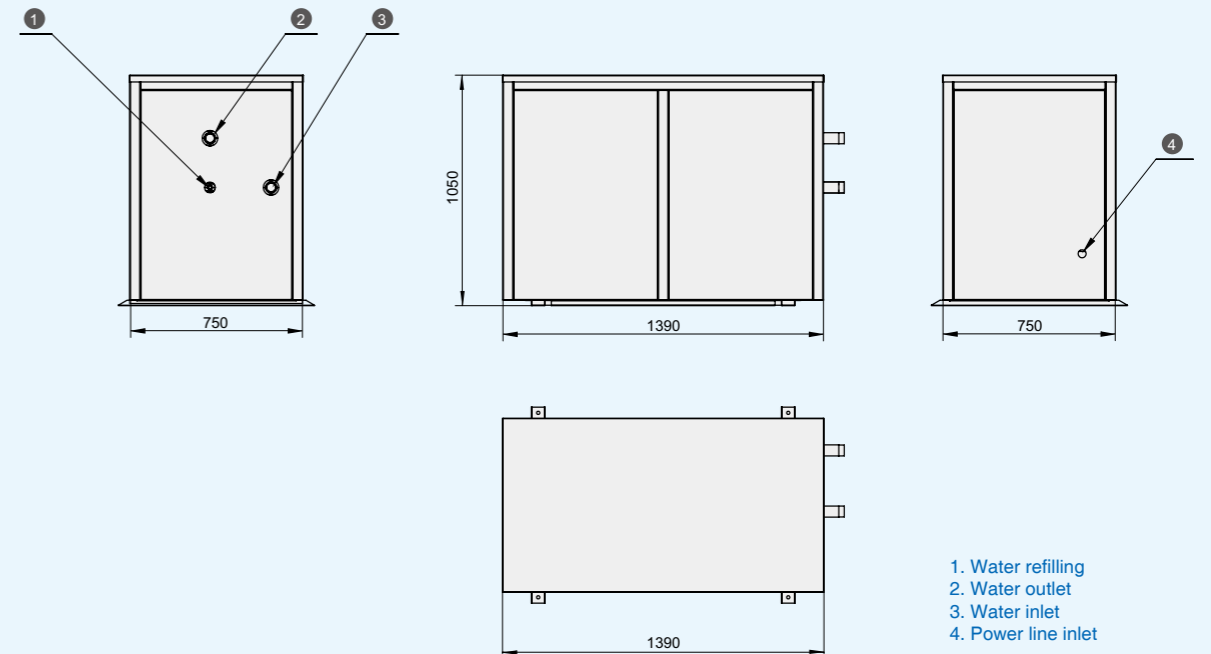


CMEH40/CMEH50/CMEH60



	CMEH40	CMEH50	CMEH60
A	1980	2700	2700
B	1120	1120	1120
C	620	620	620
D	405	405	405

PUG Pump Group Dimension Drawing





# AIRSYS

Balance the Environment

AIRSYS is a cooling product and solution provider for ICT (Information & Communication Technology) industry.

### The products include:

- Air conditioner and Chiller for IT room and large data center
- Intelligent Control system (BAS) for IT room and data center
- Air conditioning equipments for telecom shelters
- Intelligent control system for shelter cooling.
- Air conditioner and heat exchanger for telecom cabinets.

### The solution include:

- Cooling system design
- System integration
- Installation and Commissioning
- Operation and Maintenance

*AIRSYS is also a global leader in providing cooling solution for Medical Imaging System.*

#### Airsys Refrigeration Engineering Technology (Beijing) Co., Ltd.

Add: 10th floor, Hongkun Shengtong building, 19, Ping Guo Yuan Xi Xiao Jie, Shijingshan, Beijing, China 100043  
Tel: +86(0)10 68656161

#### Gu'an Airsys Environment Technology Company Ltd.

Add: 25, Dongfang Street, Gu'an Industry Park, Langfang City, Hebei Province, China  
Tel: +86(0)10 68656161

#### Shanghai Airserve HVAC System Service Co., Ltd.

Add: #7-2, No.658, Daduhe Rd., Putuo District, Shanghai, China, 200333  
Tel: +86(0)21 62452626 Fax: +86 (0)21 62459622

#### AIRSYS Australia Sales Office

Add: PO BOX 1088, Flagstaff Hill, SA, 5159, Australia  
Tel: +61 479151080

#### AIRSYS BRASIL LTDA.

Add: Av. Moaci, 395 Conj 35/36 04083-000 – Planalto Paulista SAO PAULO – SP  
Tel: +55 (11) 25976817 / +55 (11) 21585560

#### AIRSYS Deutschland GmbH

Add: Dahlweg 120, D-48153 Münster Germany  
Tel: +49 (0) 1757535054

#### AIRSYS Klima Sanayi ve Ticaret A.Ş.

Add: Barbaros Mah. Evren Cad. Erzurumlular Sk. No:23 Ataşehir / Istanbul Turkey  
Tel: +90(216) 4706280 Fax: +90(216) 4706290

#### AIRSYS North America, LLC

ICT Cooling:  
Add: 915 De La Vina St. Santa Barbara, CA 93101, USA  
Tel: +1 (805) 312 7563 Call Centre: +1 (855) 874 5380

Medical Cooling:  
Add: 3127 Independence Dr Livermore, CA 94551, USA  
Tel: +1 800 7131543

#### AIRSYS Singapore Pte. Ltd

Add: 12 Lorong Bakar Batu #06-01 Singapore (348745)  
Tel: +65 62787188 Fax: +65 68416301

#### AIRSYS (UK) Ltd.

Add: 245 Europa Boulevard, Warrington, UK. WA5 7TN  
Tel: +44 (0) 1925 377 272 Call Centre: +44(0)8456099950

[www.air-sys.com](http://www.air-sys.com)

Product design and specification subject to change without prior notice.